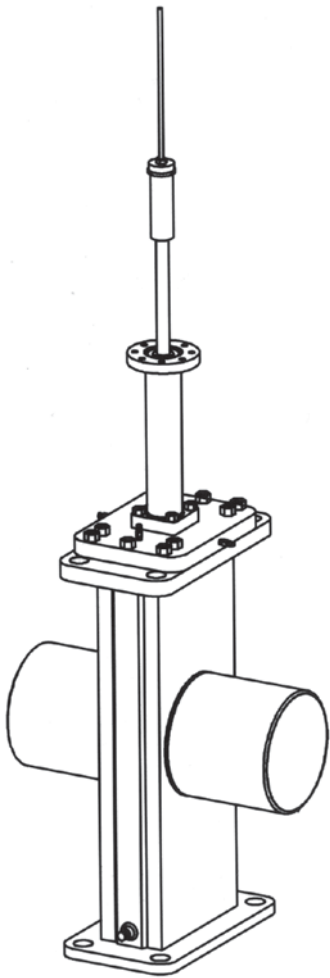
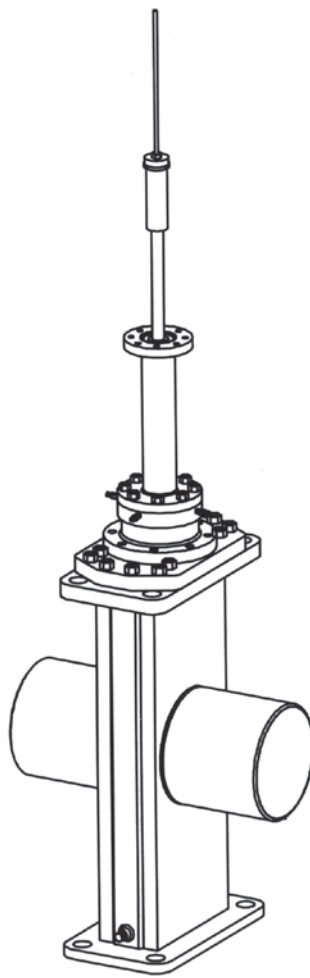


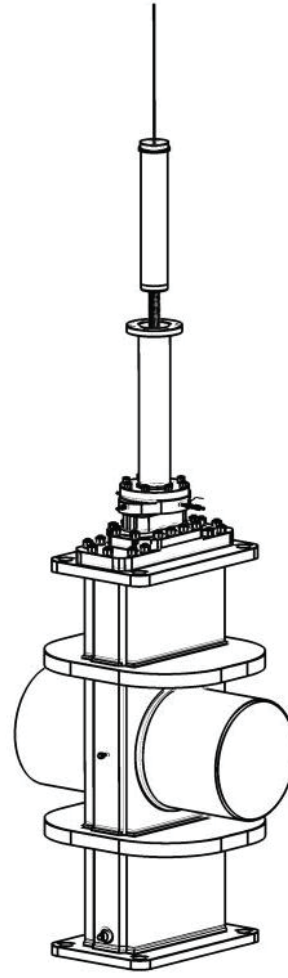
Design Types



I
VALVE WITHOUT CUPOLA



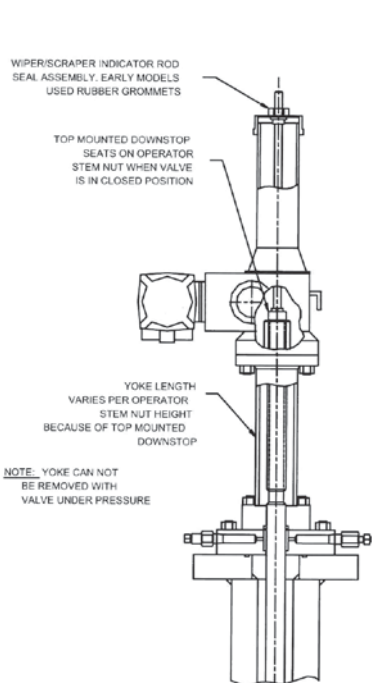
II
VALVE WITH CUPOLA



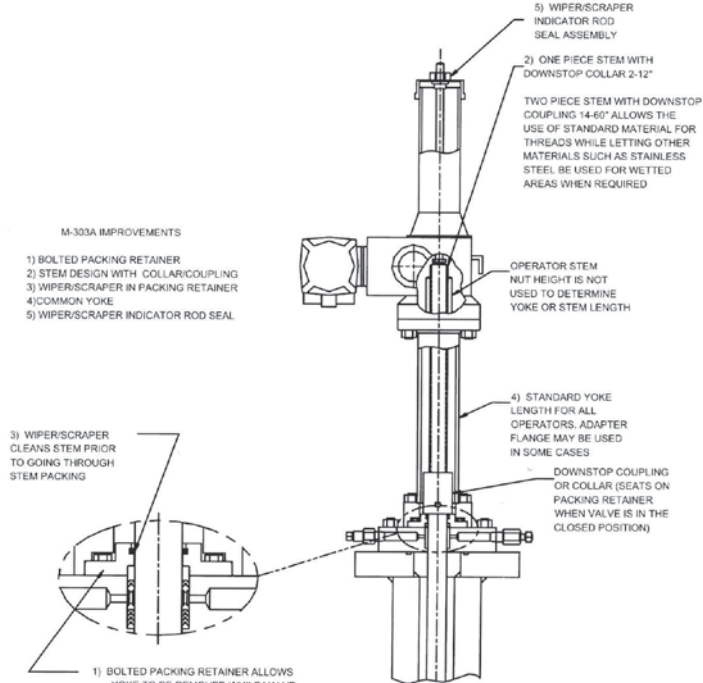
III
VALVE WITH CUPOLA & RIBS

COMPARISON OF M-303 AND M-303A

TOPWORK FEATURES, HIGHLIGHTING IMPROVEMENTS MADE TO THE M-303A.

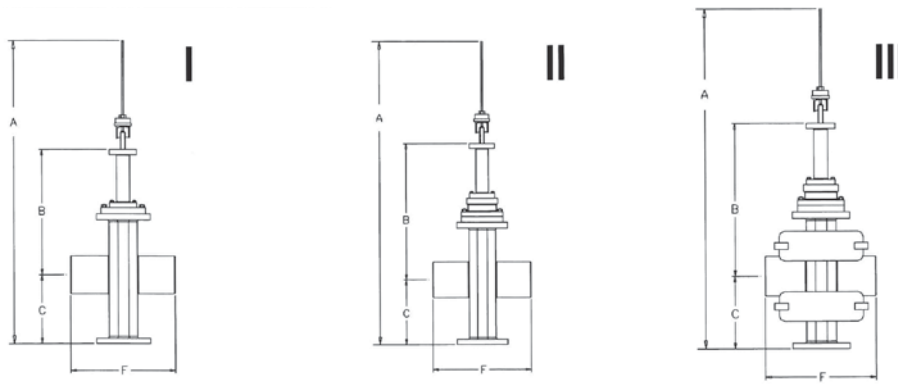


M-303
1975-1996



M-303A
Starting 1996

M-303A API CLASS 150

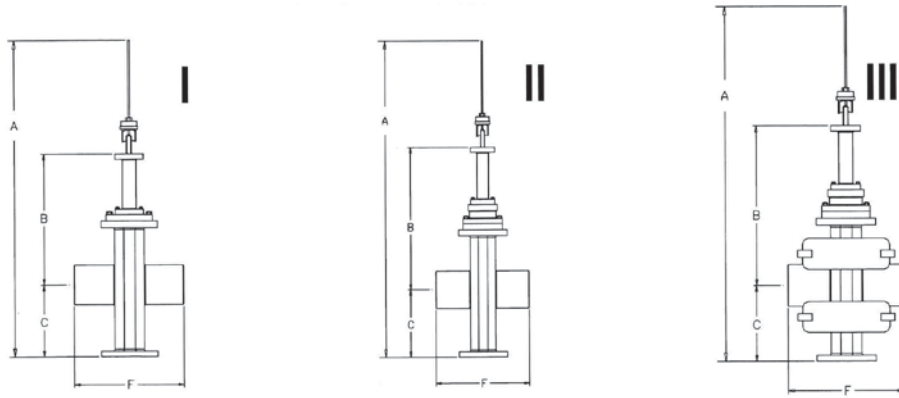


VALVE DESIGN	VALVE SIZE	A		B	C	F			WEIGHT LB/(KG)	
		A OPEN	A CLOSE			RF	WE	RTJ	FE	WE
I	6 in (150) mm	69.56 (1767)	62.56 (1589)	31.31 (795)	13.13 (333)	10.50 (267)	15.88 (403)	11.00 (279)	486 (220)	440 (200)
	8 in (200) mm	81.44 (2068)	72.38 (1838)	36.13 (918)	16.00 (406)	11.50 (292)	16.50 (419)	12.00 (305)	788 (357)	710 (322)
	10 in (250) mm	97.38 (2473)	86.00 (2184)	42.63 (1083)	19.75 (502)	13.00 (330)	18.00 (457)	13.50 (343)	1320 (599)	1220 (553)
	12 in (300) mm	109.88 (2791)	96.38 (2448)	47.94 (1218)	22.94 (583)	14.00 (356)	19.75 (502)	14.50 (368)	1768 (802)	1600 (726)
II	14 in (350) mm	118.75 (3016)	104.13 (2645)	52.75 (1340)	24.63 (625)	15.00 (381)	22.50 (572)	15.50 (394)	2152 (976)	1820 (825)
	16 in (400) mm	130.00 (3302)	113.38 (2880)	57.50 (1461)	27.13 (689)	16.00 (406)	24.00 (610)	16.50 (419)	2524 (1145)	2140 (971)
	18 in (450) mm	143.69 (3650)	124.88 (3172)	63.63 (1616)	30.44 (773)	17.00 (432)	26.00 (660)	17.50 (445)	3162 (1434)	2760 (1252)
	20 in (500) mm	157.13 (3991)	136.13 (3458)	69.63 (1768)	33.75 (857)	18.00 (457)	28.00 (711)	18.50 (470)	*	3310 (1501)
	22 in (550) mm	171.38 (4353)	148.38 (3769)	76.00 (1930)	36.88 (937)	20.00 (508)	30.00 (762)	20.50 (521)	5050 (2290)	4500 (2041)
	24 in (600) mm	183.25 (4655)	158.06 (4015)	80.31 (2040)	40.19 (1021)	20.00 (508)	32.00 (813)	20.50 (521)	5898 (2675)	5290 (2399)
	26 in (650) mm	197.13 (5007)	170.06 (4320)	87.19 (2215)	43.31 (1100)	22.00 (559)	34.00 (864)	*	7344 (3331)	6810 (3088)
	28 in (700) mm	208.81 (5304)	179.81 (4567)	92.06 (2338)	46.25 (1175)	24.00 (610)	36.00 (914)	*	8590.0 (3896)	8000.0 (3628)
	30 in (750) mm	223.50 (5677)	192.25 (4883)	99.00 (2515)	49.75 (1264)	26.00 (660)	36.00 (914)	*	9506 (4311)	8880 (4027)
	32 in (800) mm	236.81 (6015)	203.56 (5170)	105.69 (2684)	52.94 (1345)	28.00 (711)	38.00 (965)	*	11218 (5088)	10400 (4717)
III	34 in (850) mm	250.75 (6369)	215.50 (5474)	112.56 (2859)	56.00 (1422)	30.00 (762)	40.00 1016	*	12462 (5652)	11630 (5274)
	36 in (900) mm	260.31 (6612)	223.06 (5666)	115.38 (2931)	58.75 (1492)	32.00 (813)	40.00 (1016)	*	14306 (6488)	13270 (6018)
	38 in (950) mm	*	*	*	*	60.00 (1524)	60.00 (1524)	*	*	*
	40 in (1000) mm	*	*	*	*	62.00 (1574)	62.00 (1574)	*	*	*
	42 in (1050) mm	304.25 (7728)	260.50 (6617)	135.81 (3450)	69.00 (1753)	64.00 (1626)	64.00 (1626)	*	20562 (9325)	192000 (87075)
	44 in (1100) mm	*	*	*	*	66.00 (1676)	66.00 (1676)	*	*	*
	46 in (1150) mm	*	*	*	*	69.00 (1753)	69.00 (1753)	*	*	*
	48 in (1200) mm	*	*	*	*	71.00 (1803)	71.00 (1803)	*	*	*
	50 in (1250) mm	*	*	*	*	73.00 (1854)	73.00 (1854)	*	*	*
	52 in (1300) mm	*	*	*	*	76.00 (1930)	76.00 (1930)	*	*	*
	54 in (1350) mm	*	*	*	*	78.00 (1981)	78.00 (1981)	*	*	*
	56 in (1400) mm	*	*	*	*	80.00 (2032)	80.00 (2032)	*	*	*
	58 in (1450) mm	*	*	*	*	82.00 (2083)	82.00 (2083)	*	*	*
	60 in (1500) mm	*	*	*	*	84.00 (2134)	84.00 (2134)	*	*	*

*Contact M&J Valve for information on these items.

M&J Valve reserves the right to change design, material, or specifications without notice.

M-303A API CLASS 300

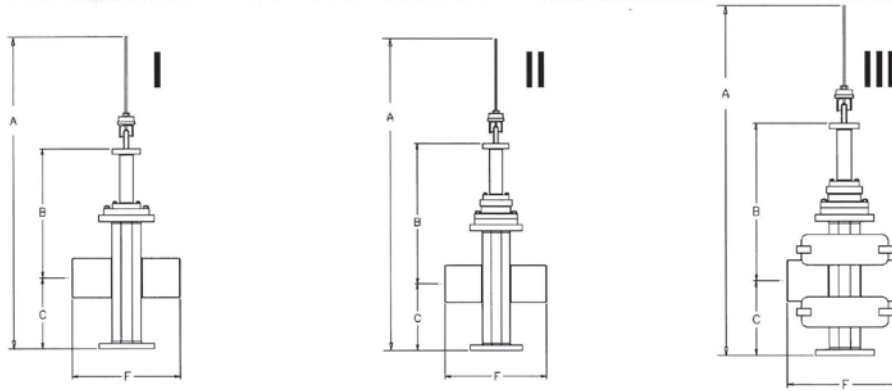


VALVE DESIGN	VALVE SIZE	A		B	C	F			WEIGHT LB/(KG)	
		A OPEN	A CLOSE			RF	WE	RTJ	FE	WE
I	6 in (150 mm)	69.56 (1767)	62.56 (1589)	31.31 (795)	13.13 (333)	15.88 (403)	15.88 (403)	16.50 (419)	522 (237)	440 (200)
	8 in (200 mm)	81.44 (2068)	72.38 (1838)	36.13 (918)	16.00 (406)	16.50 (419)	16.50 (419)	17.13 (435)	8441 (3828)	710 (322)
	10 in (250 mm)	97.38 (2473)	86.00 (2184)	42.63 (1083)	19.75 (502)	18.00 (457)	18.00 (457)	18.63 (473)	1570 (712)	1410 (639)
	12 in (300 mm)	109.88 (2791)	96.38 (2448)	47.94 (1218)	22.94 (583)	19.75 (502)	19.75 (502)	20.38 (518)	2080 (943)	1850 (839)
II	14 in (350 mm)	118.75 (3016)	104.13 (2645)	52.75 (1340)	24.63 (625)	30.00 (762)	30.00 (762)	30.63 (778)	2292 (1039)	1860 (844)
	16 in (400 mm)	130.75 (3321)	114.13 (2899)	57.50 (1461)	27.88 (708)	33.00 (838)	33.00 (838)	33.63 (854)	3130 (1420)	2500 (1134)
	18 in (450 mm)	144.19 (3662)	125.38 (3185)	63.63 (1616)	30.94 (786)	36.00 (914)	36.00 (914)	36.63 (930)	4374 (1984)	3630 (1646)
	20 in (500 mm)	159.50 (4051)	138.50 (3518)	70.75 (1797)	34.25 (870)	39.00 (991)	39.00 (991)	39.75 (1010)	5374 (2437)	4400 (1995)
	22 in (550 mm)	173.25 (4401)	150.25 (3816)	77.38 (1965)	37.38 (949)	43.00 (1092)	43.00 (1092)	43.88 (1114)	6418 (2911)	5390 (2444)
	24 in (600 mm)	186.81 (4745)	161.63 (4105)	83.13 (2111)	40.94 (1040)	45.00 (1143)	45.00 (1143)	45.88 (1165)	8200 (3719)	6940 (3147)
	26 in (650 mm)	199.75 (5074)	172.69 (4386)	92.56 (2351)	40.56 (1030)	49.00 (1245)	49.00 (1245)	50.00 (1270)	8974 (4070)	8050 (3651)
	28 in (700 mm)	*	*	*	*	53.00 (1346)	53.00 (1346)	54.00 (1372)	*	*
	30 in (750 mm)	225.31 (5723)	194.06 (4929)	101.38 (2575)	49.75 (1264)	55.00 (1397)	55.00 (1397)	56.00 (1422)	11908 (5400)	10700 (4853)
	32 in (800 mm)	198.56 (5043)	165.31 (4199)	66.88 (1699)	53.50 (1359)	60.00 (1524)	60.00 (1524)	61.13 (1553)	15466 (7014)	14050 (6372)
III	34 in (850 mm)	252.44 (6412)	217.19 (5517)	114.00 (2896)	56.25 (1429)	64.00 (1626)	64.00 (1626)	65.13 (1654)	18140 (8227)	16620 (7537)
	36 in (900 mm)	270.25 (6864)	233.00 (5918)	122.06 (3100)	59.00 (1499)	68.00 (1727)	68.00 (1727)	69.13 (1756)	18822 (8536)	17140 (7773)
	38 in (950 mm)	*	*	*	*	80.00 (2032)	80.00 (2032)	*	*	*
	40 in (1000 mm)	298.88 (7591)	257.25 (6534)	134.31 (3412)	66.38 (1686)	82.00 (2083)	82.00 (2083)	*	26382 (11965)	25250 (11451)
	42 in (1050 mm)	309.88 (7871)	266.13 (6760)	138.19 (3510)	69.25 (1759)	84.00 (2134)	84.00 (2134)	*	28496 (12923)	27230 (12349)
	44 in (1100 mm)	*	*	*	*	86.00 (2184)	86.00 (2184)	*	*	*
	46 in (1150 mm)	334.88 (8505)	287.25 (7296)	150.88 (3832)	75.38 (1915)	88.00 (2235)	88.00 (2235)	*	35148 (15940)	33450 (15170)
	48 in (1200 mm)	342.19 (8691)	292.56 (7431)	153.13 (3889)	79.50 (2019)	90.00 (2286)	90.00 (2286)	*	40774 (18492)	39030 (17701)
	50 in (1250 mm)	*	*	*	*	92.00 (2337)	92.00 (2337)	*	*	*
	52 in (1300 mm)	*	*	*	*	94.00 (2388)	94.00 (2388)	*	*	*
	54 in (1350 mm)	*	*	*	*	96.00 (2438)	96.00 (2438)	*	*	*
	56 in (1400 mm)	*	*	*	*	98.00 (2489)	98.00 (2489)	*	*	*
	58 in (1450 mm)	*	*	*	*	100.00 (2540)	100.00 (2540)	*	*	*
	60 in (1500 mm)	*	*	*	*	102.00 (2591)	102.00 (2591)	*	*	*

*Contact M&J Valve for information on these items.

M&J Valve reserves the right to change design, material, or specifications without notice.

M-303A API CLASS 400

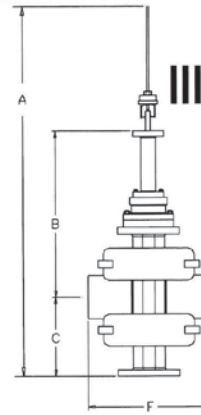
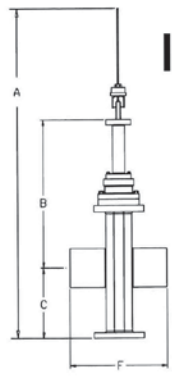
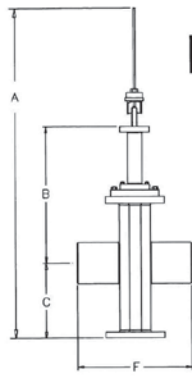


VALVE DESIGN	VALVE SIZE	A		B**	C	F			WEIGHT LB/(KG)	
		A OPEN	A CLOSE			FE	WE	RTJ	FE	WE
I	6 in (150) mm	69.56 (1767)	62.56 (1589)	31.31 (795)	13.13 (333)	19.50 (495)	19.50 (495)	19.63 (498)	552 (250)	450 (204)
	8 in (200) mm	81.44 (2068)	72.38 (1838)	36.13 (918)	16.00 (406)	23.50 (597)	23.50 (597)	23.63 (600)	888 (403)	725 (329)
	10 in (250) mm	97.38 (2473)	86.00 (2184)	42.63 (1083)	19.75 (502)	26.50 (673)	26.50 (673)	26.63 (676)	1590 (721)	1410 (639)
	12 in (300) mm	109.88 (2791)	96.38 (2448)	47.94 (1218)	22.94 (583)	30.00 (762)	30.00 (762)	30.13 (765)	2110 (957)	1850 (839)
II	14 in (350) mm	118.75 (3016)	104.13 (2645)	52.75 (1340)	24.63 (625)	32.50 (826)	32.50 (826)	32.63 (829)	2392 (1085)	1880 (853)
	16 in (400) mm	130.75 (3321)	114.13 (2899)	57.50 (1461)	27.88 (708)	35.50 (902)	35.50 (902)	35.63 (905)	3220 (1460)	2550 (1156)
	18 in (450) mm	145.63 (3699)	126.81 (3221)	65.06 (1653)	31.19 (792)	38.50 (978)	38.50 (978)	38.63 (981)	4434 (2011)	3780 (1714)
	20 in (500) mm	161.00 (4089)	140.00 (3556)	71.75 (1822)	34.75 (883)	41.50 (1054)	41.50 (1054)	41.75 (1060)	5392 (2445)	4540 (2059)
	22 in (550) mm	*	*	*	*	45.00 (1143)	45.00 (1143)	45.38 (1153)	*	*
	24 in (600) mm	188.19 (4780)	163.00 (4140)	84.50 (2146)	40.94 (1040)	48.50 (1232)	48.50 (1232)	48.88 (1241)	9254 (4197)	7910 (3587)
	26 in (650) mm	199.44 (5066)	172.38 (4378)	89.75 (2280)	43.81 (1113)	51.50 (1308)	51.50 (1308)	52.00 (1321)	10636 (4824)	9340 (4236)
	28 in (700) mm	*	*	*	*	55.00 (1397)	55.00 (1397)	55.50 (1410)	*	*
III	30 in (750) mm	229.44 (5828)	198.19 (5034)	102.00 (2591)	50.25 (1276)	60.00 (1524)	60.00 (1524)	60.50 (1537)	14568 (6607)	12920 (5859)
	32 in (800) mm	*	*	*	*	65.00 (1651)	65.00 (1651)	65.63 (1667)	*	*
	34 in (850) mm	*	*	*	*	70.00 (1778)	70.00 (1778)	70.63 (1794)	*	*
	36 in (900) mm	269.31 (6841)	232.06 (5894)	120.38 (3058)	59.75 (1518)	74.00 (1880)	74.00 (1880)	74.63 (1895)	23534 (10673)	21180 (9605)
	38 in (950) mm	*	*	*	*	84.00 (2134)	84.00 (2134)	*	*	*
	40 in (1000) mm	*	*	*	*	86.00 (2184)	86.00 (2184)	*	*	*
	42 in (1050) mm	*	*	*	*	89.00 (2261)	89.00 (2261)	*	*	*
	44 in (1100) mm	*	*	*	*	92.00 (2337)	92.00 (2337)	*	*	*
	46 in (1150) mm	*	*	*	*	94.00 (2388)	94.00 (2388)	*	*	*
	48 in (1200) mm	*	*	*	*	97.00 (2464)	97.00 (2464)	*	*	*
	50 in (1250) mm	*	*	*	*	*	*	*	*	*
	52 in (1300) mm	*	*	*	*	*	*	*	*	*
54 in (1350) mm	*	*	*	*	*	*	*	*	*	
56 in (1400) mm	*	*	*	*	*	*	*	*	*	
58 in (1450) mm	*	*	*	*	*	*	*	*	*	
60 in (1500) mm	*	*	*	*	*	*	*	*	*	

*Contact M&J Valve for information on these items.

M&J Valve reserves the right to change design, material, or specifications without notice.

M-303A API CLASS 600

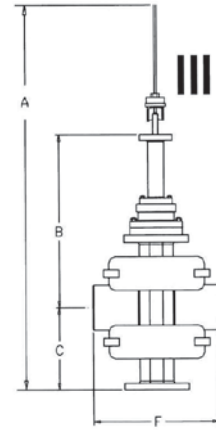
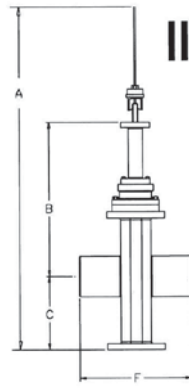
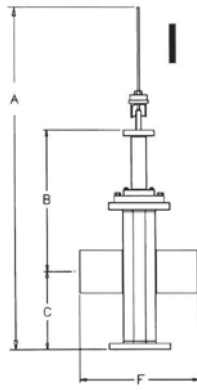


VALVE DESIGN	VALVE SIZE	A		B	C	F			WEIGHT IB/(KG)	
		A OPEN	A CLOSE			RF	WE	RTJ	FE	WE
I	6 in (150) mm	68.56 (1742)	61.56 (1564)	31.31 (795)	13.13 (333)	22.00 (559)	22.00 (559)	22.13 (562)	600 (272)	460 (209)
	8 in (200) mm	81.44 (2068)	72.38 (1838)	36.13 (918)	16.00 (406)	26.00 (660)	26.00 (660)	26.13 (664)	950 (431)	730 (331)
	10 in (250) mm	97.38 (2473)	86.00 (2184)	42.63 (1083)	19.75 (502)	31.00 (787)	31.00 (787)	31.13 (791)	1750 (794)	1410 (639)
	12 in (300) mm	110.38 (2804)	96.88 (2461)	47.94 (1218)	23.44 (595)	33.00 (838)	33.00 (838)	33.13 (841)	2520 (1143)	2100 (952)
II	14 in (350) mm	119.25 (3029)	104.63 (2657)	52.75 (1340)	25.13 (638)	35.00 (889)	35.00 (889)	35.13 (892)	3274 (1485)	2610 (1184)
	16 in (400) mm	131.50 (3340)	114.88 (2918)	58.25 (1480)	28.13 (714)	39.00 (991)	39.00 (991)	39.13 (994)	4042 (1833)	3160 (1433)
	18 in (450) mm	147.56 (3748)	128.75 (3270)	66.50 (1689)	31.69 (805)	43.00 (1092)	43.00 (1092)	43.13 (1092)	5462 (2477)	4400 (1995)
	20 in (500) mm	161.00 (4089)	140.00 (3556)	71.75 (1822)	34.75 (883)	47.00 (1194)	47.00 (1194)	47.25 (1200)	7426 (3368)	6200 (2812)
	22 in (550) mm	175.19 (4450)	152.19 (3866)	78.81 (2002)	37.88 (962)	51.00 (1295)	51.00 (1295)	51.38 (1305)	8958 (4063)	7400 (3356)
	24 in (600) mm	190.50 (4839)	165.31 (4199)	83.94 (2132)	41.44 (1052)	55.00 (1397)	55.00 (1397)	55.38 (1407)	11374 (5158)	9610 (4358)
	26 in (650) mm	204.44 (5193)	177.38 (4505)	91.38 (2321)	44.31 (1126)	57.00 (1448)	57.00 (1448)	57.50 (1461)	12996 (5894)	11140 (5052)
	28 in (700) mm	*	*	*	*	61.00 (1549)	61.00 (1549)	61.50 (1562)	*	*
	30 in (750) mm	232.44 (5904)	201.19 (5110)	104.50 (2654)	50.75 (1289)	65.00 (1651)	65.00 (1651)	65.50 (1664)	17950 (8141)	15750 (7143)
	32 in (800) mm	*	*	*	*	70.00 (1778)	70.00 (1778)	70.63 (1794)	*	*
III	34 in (850) mm	258.00 (6553)	222.75 (5658)	115.81 (2942)	57.00 (1448)	76.00 (1930)	76.00 (1930)	76.63 (1946)	25560 (11592)	23000 (10431)
	36 in (900) mm	270.31 (6866)	233.06 (5920)	120.88 (3070)	60.25 (1530)	82.00 (2083)	82.00 (2083)	85.63 (2175)	30194 (13693)	27200 (12336)
	38 in (950) mm	*	*	*	*	90.00 (2286)	90.00 (2286)	*	*	*
	40 in (1000) mm	301.69 (7663)	260.06 (6606)	134.88 (3426)	67.38 (1711)	94.00 (2388)	94.00 (2388)	*	36920 (16744)	33720 (15293)
	42 in (1050) mm	311.50 (7912)	267.75 (6801)	138.81 (3526)	70.25 (1784)	98.00 (2489)	98.00 (2489)	*	40384 (18315)	36940 (16753)
	44 in (1100) mm	*	*	*	*	101.00 (2565)	101.00 (2565)	*	*	*
	46 in (1150) mm	*	*	*	*	105.00 (2667)	105.00 (2667)	*	*	*
	48 in (1200) mm	342.19 (8691)	292.56 (7431)	153.13 (3889)	79.50 (2019)	109.00 (2769)	109.00 (2769)	*	*	54660 (24789)
	50 in (1250) mm	*	*	*	*	113.00 (2870)	113.00 (2870)	*	*	*
	52 in (1300) mm	*	*	*	*	117.00 (2972)	117.00 (2972)	*	*	*
	54 in (1350) mm	*	*	*	*	120.00 (3048)	120.00 (3048)	*	*	*
	56 in (1400) mm	*	*	*	*	124.00 (3150)	124.00 (3150)	*	*	*
	58 in (1450) mm	*	*	*	*	128.00 (3251)	128.00 (3251)	*	*	*
	60 in (1500) mm	*	*	*	*	132.00 (3353)	132.00 (3353)	*	*	*

*Contact M&J Valve for information on these items.

M&J Valve reserves the right to change design, material, or specifications without notice.

M-303A API CLASS 900

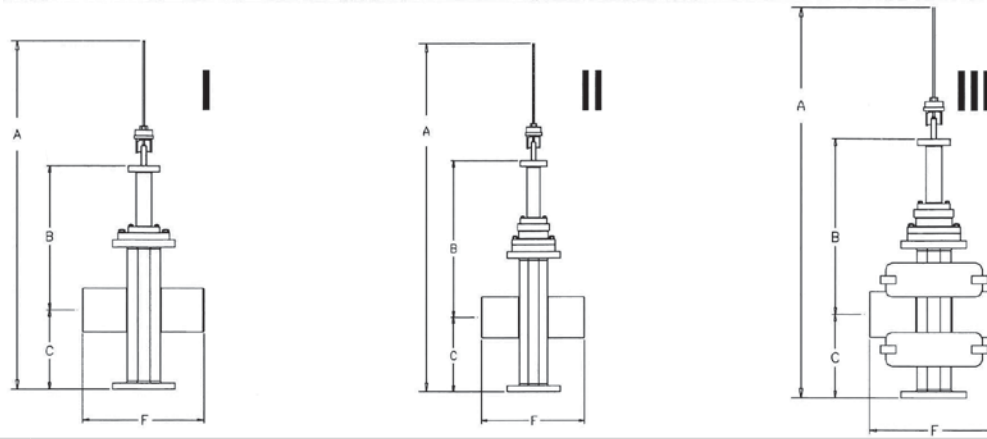


VALVE DESIGN	VALVE SIZE	A		B	C	F			WEIGHT LB/(KG)	
		A OPEN	A CLOSE			FE	WE	RTJ	FE	WE
I	6 in (150) mm	69.06 (1754)	62.06 (1576)	30.81 (783)	13.13 (333)	24.00 (610)	24.00 (610)	24.13 (613)	658 (298)	470 (213)
	8 in (200) mm	81.94 (2081)	72.88 (1851)	36.13 (918)	16.50 (419)	29.00 (737)	29.00 (737)	29.13 (740)	1172 (532)	820 (372)
	10 in (250) mm	97.88 (2486)	86.50 (2197)	42.63 (1083)	20.25 (514)	33.00 (838)	33.00 (838)	33.13 (841)	2050 (930)	1560 (707)
	12 in (300) mm	110.63 (2810)	97.13 (2467)	47.94 (1218)	23.69 (602)	38.00 (965)	38.00 (965)	38.13 (968)	3110 (1410)	2460 (1116)
II	14 in (350) mm	119.69 (3040)	105.06 (2669)	54.00 (1372)	25.38 (645)	40.50 (1029)	40.50 (1029)	40.88 (1038)	3682 (1670)	2780 (1261)
	16 in (400) mm	135.19 (3434)	118.56 (3012)	61.06 (1551)	29.00 (737)	44.50 (1130)	44.50 (1130)	44.88 (1140)	5152 (2337)	4060 (1841)
	18 in (450) mm	*	*	*	*	48.00 (1219)	48.00 (1219)	48.50 (1232)	*	*
	20 in (500) mm	167.19 (4247)	146.19 (3713)	74.25 (1886)	36.25 (921)	52.00 (1321)	52.00 (1321)	52.50 (1334)	9618 (4362)	7860 (3565)
	22 in (550) mm	*	*	*	*	56.50 (1435)	56.50 (1435)	57.00 (1448)	*	*
	24 in (600) mm	194.75 (4947)	169.56 (4307)	87.06 (2211)	42.56 (1081)	61.00 (1549)	61.00 (1549)	61.75 (1568)	15680 (7111)	12580 (5705)
	26 in (650) mm	*	*	*	*	80.00 (2032)	80.00 (2032)	*	*	*
	28 in (700) mm	*	*	*	*	83.00 (2108)	83.00 (2108)	*	*	*
	30 in (750) mm	235.00 (5969)	203.75 (5175)	106.06 (2694)	51.75 (1314)	85.00 (2159)	85.00 (2159)	*	25980 (11782)	22000 (9977)
	32 in (800) mm	*	*	*	*	88.00 (2235)	88.00 (2235)	*	*	*
III	34 in (850) mm	*	*	*	*	90.00 (2286)	90.00 (2286)	*	*	*
	36 in (900) mm	*	*	*	*	92.00 (2337)	90.00 (2286)	*	*	*
	38 in (950) mm	*	*	*	*	*	*	*	*	*
	40 in (1000) mm	*	*	*	*	*	*	*	*	*
	42 in (1050) mm	*	*	*	*	*	*	*	*	*
	44 in (1100) mm	*	*	*	*	*	*	*	*	*
	46 in (1150) mm	*	*	*	*	*	*	*	*	*
	48 in (1200) mm	*	*	*	*	*	*	*	*	*
	50 in (1250) mm	*	*	*	*	*	*	*	*	*
	52 in (1300) mm	*	*	*	*	*	*	*	*	*
	54 in (1350) mm	*	*	*	*	*	*	*	*	*
	56 in (1400) mm	*	*	*	*	*	*	*	*	*
	58 in (1450) mm	*	*	*	*	*	*	*	*	*
	60 in (1500) mm	*	*	*	*	*	*	*	*	*

*Contact M&J Valve for information on these items.

M&J Valve reserves the right to change design, material, or specifications without notice.

M-303A API CLASS 1500

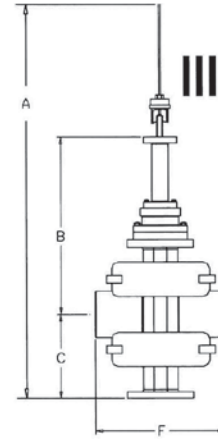
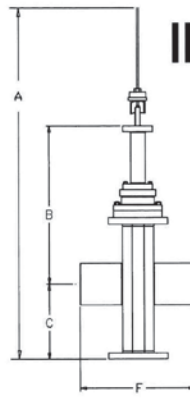
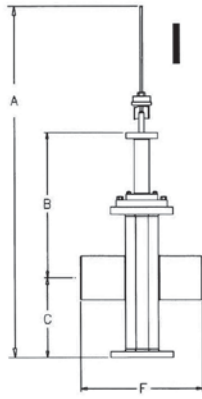


VALVE DESIGN	VALVE SIZE	A		B	C	F			WEIGHT LB/(KG)	
		A OPEN	A CLOSE			FE	WE	RTJ	FE	WE
II	6 in (150 mm)	60.63 (1540)	53.63 (1362)	29.13 (740)	12.88 (327)	27.75 (705)	27.75 (705)	28.00 (711)	1022 (463)	600 (272)
	8 in (200 mm)	85.44 (2170)	75.44 (1916)	41.06 (1043)	18.25 (464)	32.75 (832)	32.75 (832)	33.13 (842)	2594 (1176)	1940 (880)
	10 in (250 mm)	99.38 (2524)	87.13 (2213)	46.16 (1172)	21.75 (552)	39.00 (991)	39.00 (991)	39.38 (1000)	4136 (1876)	3100 (1406)
	12 in (300 mm)	111.13 (2823)	97.13 (2467)	53.41 (1357)	24.56 (624)	44.50 (1130)	44.50 (1130)	45.13 (1146)	5970 (2707)	4660 (2113)
	14 in (350 mm)	116.31 (2954)	101.69 (2583)	55.56 (1411)	26.00 (660)	49.50 (1257)	49.50 (1257)	50.25 (1276)	6658 (3020)	4680 (2122)
	16 in (400 mm)	130.00 (3302)	113.38 (2880)	61.63 (1565)	29.44 (748)	54.50 (1384)	54.50 (1384)	55.38 (1407)	9388 (4258)	6690 (3034)
	18 in (450 mm)	*	*	*	*	*	*	*	*	9690 (4395)
	20 in (500 mm)	157.00 (3988)	136.00 (3454)	73.66 (1871)	35.75 (908)	65.50 (1664)	65.50 (1664)	66.38 (1686)	15782 (7157)	11580 (5252)
	22 in (550 mm)	*	*	*	*	*	*	*	*	*
	24 in (600 mm)	184.00 (4674)	159.68 (4056)	86.19 (2189)	42.69 (1084)	76.50 (1943)	76.50 (1943)	77.63 (1972)	24754 (11226)	18000 (8163)
26 in (650 mm)	199.88 (5077)	172.81 (4389)	*	46.06 (1170)	*	*	*	*	21000 (9524)	
28 in (700 mm)	*	*	*	*	*	*	*	*	*	
30 in (750 mm)	*	*	*	*	*	*	*	*	*	
32 in (800 mm)	*	*	*	*	*	*	*	*	*	
34 in (850 mm)	*	*	*	*	*	*	*	*	*	
36 in (900 mm)	*	*	*	*	*	*	*	*	*	
III	38 in (950 mm)	*	*	*	*	*	*	*	*	*
	40 in (1000 mm)	*	*	*	*	*	*	*	*	*
	42 in (1050 mm)	*	*	*	*	*	*	*	*	*
	44 in (1100 mm)	*	*	*	*	*	*	*	*	*
	46 in (1150 mm)	*	*	*	*	*	*	*	*	*
	48 in (1200 mm)	*	*	*	*	*	*	*	*	*
	50 in (1250 mm)	*	*	*	*	*	*	*	*	*
	52 in (1300 mm)	*	*	*	*	*	*	*	*	*
	54 in (1350 mm)	*	*	*	*	*	*	*	*	*
	56 in (1400 mm)	*	*	*	*	*	*	*	*	*
58 in (1450 mm)	*	*	*	*	*	*	*	*	*	
60 in (1500 mm)	*	*	*	*	*	*	*	*	*	

*Contact M&J Valve for information on these items.

M&J Valve reserves the right to change design, material, or specifications without notice.

M-303A API CLASS 2500



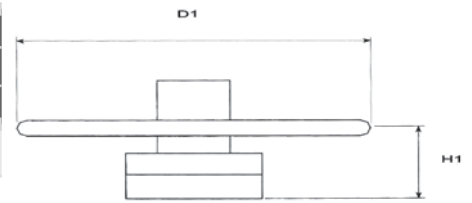
VALVE DESIGN	VALVE SIZE	A		B	C	F			WEIGHT LB/(KG)	
		A OPEN	A CLOSE			FE	WE	RTJ	FE	WE
II	6 in (150 mm)	61.50 (1562)	54.50 (1384)	29.13 (740)	12.88 (327)	36.00 (914)	36.00 (914)	36.50 (927)	2020 (916)	1270 (576)
	8 in (200 mm)	80.19 (2037)	71.00 (1803)	41.06 (1043)	18.25 (464)	40.25 (1022)	40.25 (1022)	40.88 (1038)	4750 (2154)	3610 (1637)
	10 in (250 mm)	95.56 (2427)	84.19 (2138)	49.31 (1253)	21.75 (552)	50.00 (1270)	50.00 (1270)	50.88 (1292)	5739 (2603)	4618 (2094)
	12 in (300 mm)	111.25 (2826)	97.75 (2483)	53.38 (1356)	24.31 (618)	56.00 (1422)	56.00 (1422)	56.88 (1445)	10016 (4542)	6800 (3084)
	14 in (350 mm)	*	*	*	*	*	*	*	*	*
	16 in (400 mm)	142.25 (3613)	125.38 (3185)	61.63 (1565)	29.44 (748)	72.00 (1829)	72.00 (1829)	72.88 (1851)	18500 (8390)	13130 (5955)
	18 in (450 mm)	*	*	*	*	*	*	*	*	*
	20 in (500 mm)	*	*	*	*	*	*	*	*	*
	22 in (550 mm)	*	*	*	*	*	*	*	*	*
	24 in (600 mm)	*	*	*	*	*	*	*	*	*
III	26 in (650 mm)	*	*	*	*	*	*	*	*	*
	28 in (700 mm)	*	*	*	*	*	*	*	*	*
	30 in (750 mm)	*	*	*	*	*	*	*	*	*
	32 in (800 mm)	*	*	*	*	*	*	*	*	*
	34 in (850 mm)	*	*	*	*	*	*	*	*	*
	36 in (900 mm)	*	*	*	*	*	*	*	*	*
	38 in (950 mm)	*	*	*	*	*	*	*	*	*
	40 in (1000 mm)	*	*	*	*	*	*	*	*	*
	42 in (1050 mm)	*	*	*	*	*	*	*	*	*
	44 in (1100 mm)	*	*	*	*	*	*	*	*	*
	46 in (1150 mm)	*	*	*	*	*	*	*	*	*
	48 in (1200 mm)	*	*	*	*	*	*	*	*	*
	50 in (1250 mm)	*	*	*	*	*	*	*	*	*
	52 in (1300 mm)	*	*	*	*	*	*	*	*	*
	54 in (1350 mm)	*	*	*	*	*	*	*	*	*
	56 in (1400 mm)	*	*	*	*	*	*	*	*	*
58 in (1450 mm)	*	*	*	*	*	*	*	*	*	
60 in (1500 mm)	*	*	*	*	*	*	*	*	*	

*Contact M&J Valve for information on these items.

M&J Valve reserves the right to change design, material, or specifications without notice.

HANDWHEEL OPERATOR (HWO)

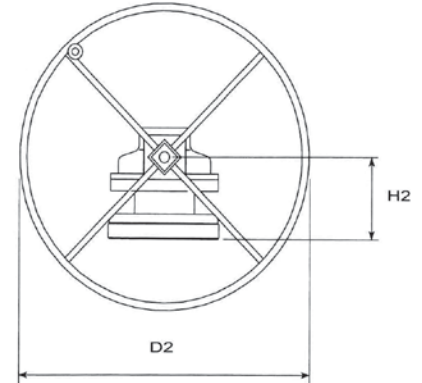
VALVE SIZE	VALVE SERIES											
	150			300			400			600		
	D1	H1	NT	D1	H1	NT	D1	H1	NT	D1	H1	NT
6 in (150 mm)	20.00 (508)	4.438 (113)	21	20.00 (508)	4.438 (113)	21	20.00 (508)	4.438 (113)	21	32.00 (813)	4.438 (113)	21
8 in (200 mm)	26.00 (660)	4.438 (113)	27	26.00 (660)	4.438 (113)	27	32.00 (813)	4.438 (113)	21			
10 in (250 mm)	32.00 (813)	4.438 (113)	34	32.00 (813)	4.438 (113)	34						



R: RATIO
NT: NO OF TURNS

BEVEL GEAR OPERATOR (BGO)

VALVE SIZE	VALVE SERIES														
	150			300			400			600			900		
	D2	H2	R/NT	D2	H2	R/NT	D2	H2	R/NT	D2	H2	R/NT	D2	H2	R/NT
6 in (150 mm)	12.00 (305)	4.44 (113)	4:1/21	12.00 (305)	4.44 (113)	4:1/21	12.00 (305)	4.44 (113)	4:1/21	12.00 (305)	4.44 (113)	4:1/21	18.00 (457)	4.44 (113)	4:1/21
8 in (200 mm)	12.00 (305)	4.44 (113)	4:1/27	12.00 (305)	4.44 (113)	4:1/27	12.00 (305)	4.44 (113)	4:1/27	18.00 (457)	4.44 (113)	4:1/27	24.00 (610)	4.44 (113)	4:1/27
10 in (250 mm)	12.00 (305)	4.44 (113)	4:1/34	12.00 (305)	4.44 (113)	4:1/34	18.00 (457)	4.44 (113)	4:1/34	24.00 (610)	4.44 (113)	4:1/34	30.00 (762)	4.44 (113)	4:1/34
12 in (300 mm)	12.00 (305)	4.44 (113)	4:1/41	18.00 (457)	4.44 (113)	4:1/41	30.00 (762)	4.44 (113)	4:1/41	30.00 (762)	4.44 (113)	4:1/41	24.00 (610)	6.44 (164)	9:1/41
14 in (350 mm)	12.00 (305)	4.44 (113)	4:1/44	24.00 (610)	4.44 (113)	4:1/44	30.00 (762)	4.44 (113)	4:1/44	24.00 (610)	6.44 (164)	9:1/44	36.00 (914)	6.44 (164)	9:1/37
16 in (400 mm)	12.00 (305)	4.44 (113)	4:1/50	30.00 (762)	4.44 (113)	4:1/50	30.00 (762)	6.44 (164)	4:1/50	30.00 (762)	6.44 (164)	9:1/42			
18 in (450 mm)	18.00 (457)	4.44 (113)	4:1/56	36.00 (914)	6.44 (164)	4:1/56	24.00 (610)	6.44 (164)	9:1/47						
20 in (500 mm)	18.00 (457)	4.44 (113)	4:1/63	24.00 (610)	6.44 (164)	9:1/53	36.00 (914)	6.44 (164)	9:1/42						
22 in (550 mm)	24.00 (610)	6.44 (164)	4:1/58	30.00 (762)	6.44 (164)	9:1/46									
24 in (600 mm)	30.00 (762)	6.44 (164)	4:1/63	36.00 (914)	6.44 (164)	9:1/50									

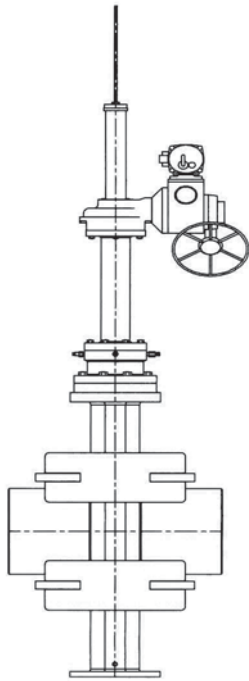


STANDARD M303 - NOMINAL BORE SIZE

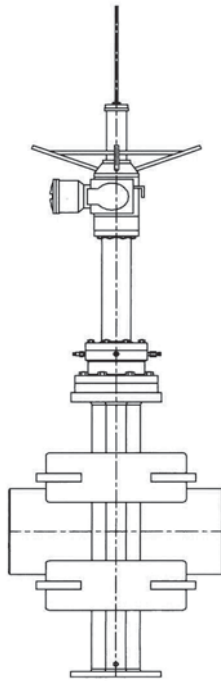
NOMINAL VALVE SIZE	NOMINAL BORE IN (MM)							
	CLASS 150 THROUGH 600		CLASS 900		CLASS 1500		CLASS 2500	
2	2	(50.8)	2	(50.8)	2	(50.8)	1-3/4	(44.5)
2-1/2	2-1/2	(63.5)	2-1/2	(63.5)	2-1/2	(63.5)	2-1/8	(54.0)
3	3	(76.2)	3	(76.2)	3	(76.2)	2-1/2	(63.5)
4	4	(101.6)	4	(101.6)	4	(101.6)	3.5	(88.9)
6	6	(152.4)	6	(152.4)	5-3/4	(146.1)	5-1/4	(133.4)
8	8	(203.2)	8	(203.2)	7-5/8	(193.7)	7-1/8	(181.0)
10	10	(254.0)	10	(254.0)	9-1/2	(241.3)	8-7/8	(225.4)
12	12	(304.8)	12	(304.8)	11-3/8	(288.9)	10-1/2	(266.7)
14	13-1/4	(336.6)	12 3/4	(323.9)	12-1/2	(317.5)		
16	15-1/4	(387.4)	14-3/4	(374.7)	14-1/4	(362.0)		
18	17-1/4	(438.2)	16-3/4	(435.5)				
20	19-1/4	(489.0)	18-5/8	(473.1)				
22	21-1/4	(523.9)	20.5/8	(523.9)				
24	23-1/4	(590.6)	22-1/2	(571.5)				
26	25	(635.0)	24-3/8	(619.1)				
28	27	(685.8)	26-1/4	(666.8)				
30	29	(736.6)	28-1/8	(714.4)				
32	30-3/4	(781.1)	30	(762.0)				
34	32-3/4	(831.9)	31-7/8	(809.6)				
36	34-1/2	(876.3)	33-3/4	(857.3)				
38	36-1/2	(927.1)						
40	38-1/2	(977.9)						
42	40-1/4	(1022.4)						
48	46	(1168.4)						
54	51-3/4	(1314.5)						
60	57-1/2	(1460.5)						

AS SPECIFIED IN API 6D TABLE 4.0
TOLERANCE:-1/16 IN. (-1.6 MM)

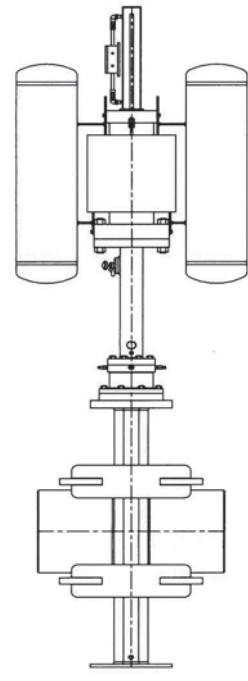
M-303A OPTIONAL OPERATOR MOUNTING



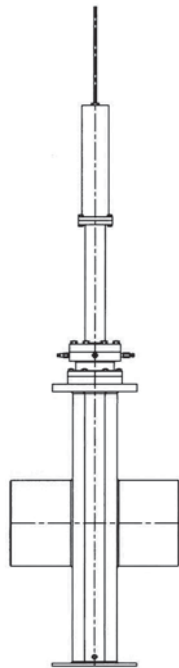
**Bevel Gear Operator
Side Mounted
Electric Operator**



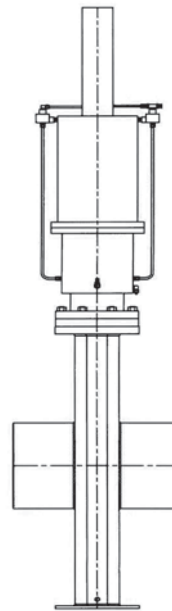
**Top Mounted
Electric Operator**



**Top Mounted
Gas/Oil Hydraulic Operator**



**Top Mounted
Hydraulic Operator**



**Reverse Acting
(Safety/Fail Close)
Operator**

Distributed by | Distribuido por :



ANYTHING
≈ FLOWS ≈

INFO@ANYTHINGFLOWS.COM

WWW.ANYTHINGFLOWS.COM

Flow Control , our passion ®

Life Flows on ™



SCAN ME