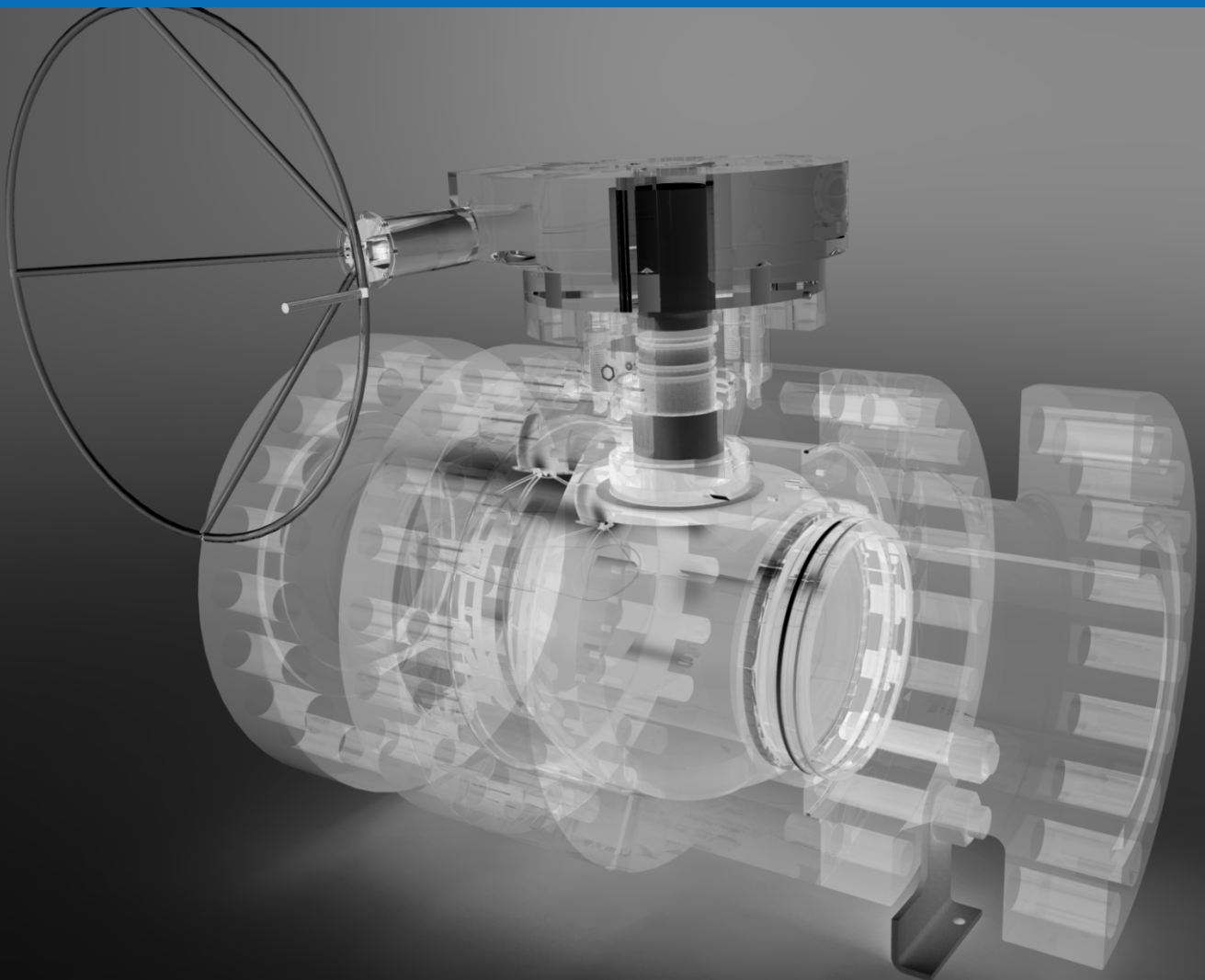
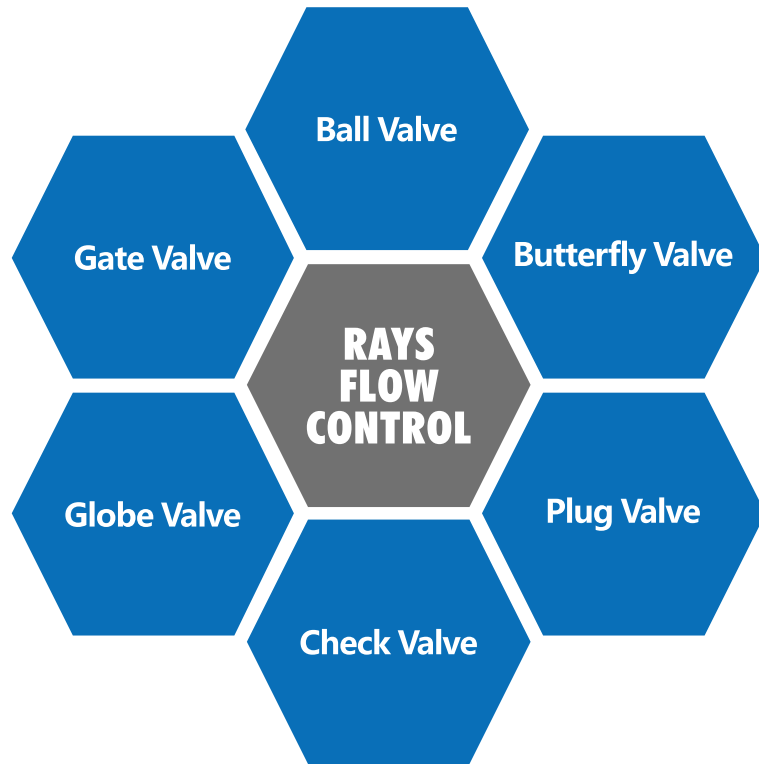




INDUSTRIAL VALVE SOLUTIONS

RAYS FLOW CONTROL, INC.







Rays Flow Control is your trusted partner for valves.

At Rays Flow Control, we go extra miles to guarantee quality from its very source: raw material. We own a forging company with our proprietary technology and equipment to produce the raw material with the best quality and competitive price.

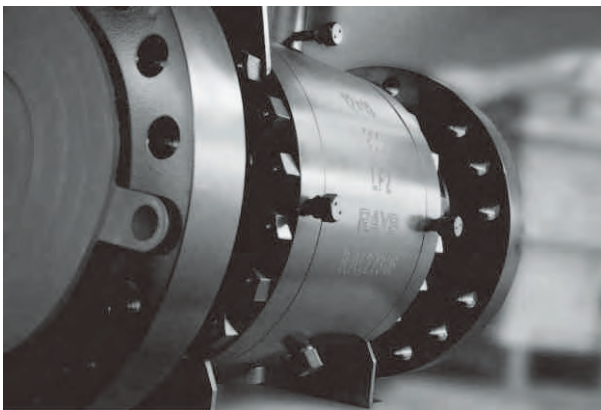
Over the years, Rays has built an excellent engineering team. We have retained and attracted the best talents in the industry to help us stay ahead in engineering, R&D, project supports and after sale services for all types of needs from different clients at all stages of the projects.

Rays Flow Control has established operations in Houston, USA and Venezuela. Their great track of records give us the confidence to open more offices and service centers in strategic locations in the near future to better service the regional needs.

Just very recently, Rays Flow Control's manufacturing operation in China has moved into a brand new modern facility which is adjacent our raw material production facility. With the expansion of the production capacity and additions of state of art new machines and equipment, we are striving to better serve the ever demanding market.

Certificated with API 6D, ISO9001:2008, ISO 14001:2004, OHSAS 18001:2004 API 607, API 6FA, EAC (GOST-R). Rays has developed excellent quality control and management systems to ensure its superior quality and service.

Your needs is what we work hard for. Every day in every way, we at Rays evolve ourselves to be a better supplier and partner when it comes to your valves requirement and solution.



PRODUCTS RANGE

Ball Valve

- Floating Ball Valve
- Trunnion Ball Valve
- Metal Seat Ball Valve
- DBB Ball Valve(Twin Ball)
- Full Welded Ball Valve
- Top Entry Ball Valve
- Rising Stem Ball Valve

Gate Valve

- Wedge Gate Valve
- Slab Gate Valve
- Expanding Gate Valve

Globe Valve

- Straight Type Globe Valve
- Y Type Globe Valve

Check Valve

- Swing Type Check Valve
- Lift Type Check Valve
- Wafer Type Check Valve

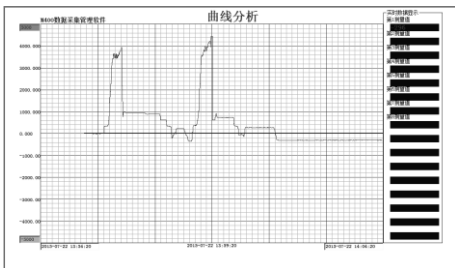
Plug Valve

Lubricated Plug Valve
Expanding Plug Valve
Twin Body Plug Valve



PRODUCTS QUALITY

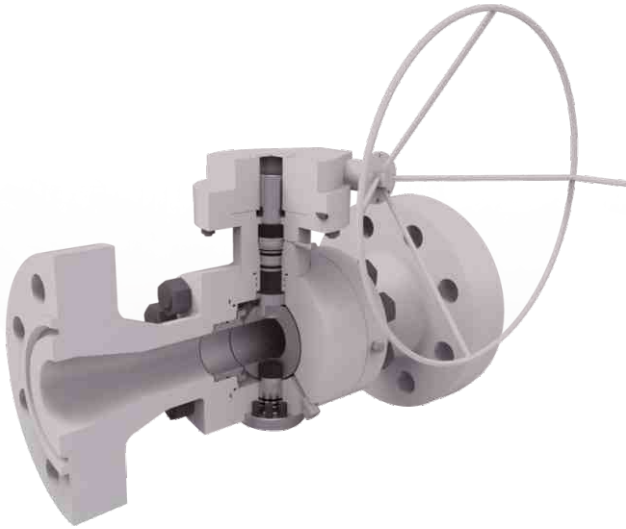
Computerized Torque Test



Low Emission Test



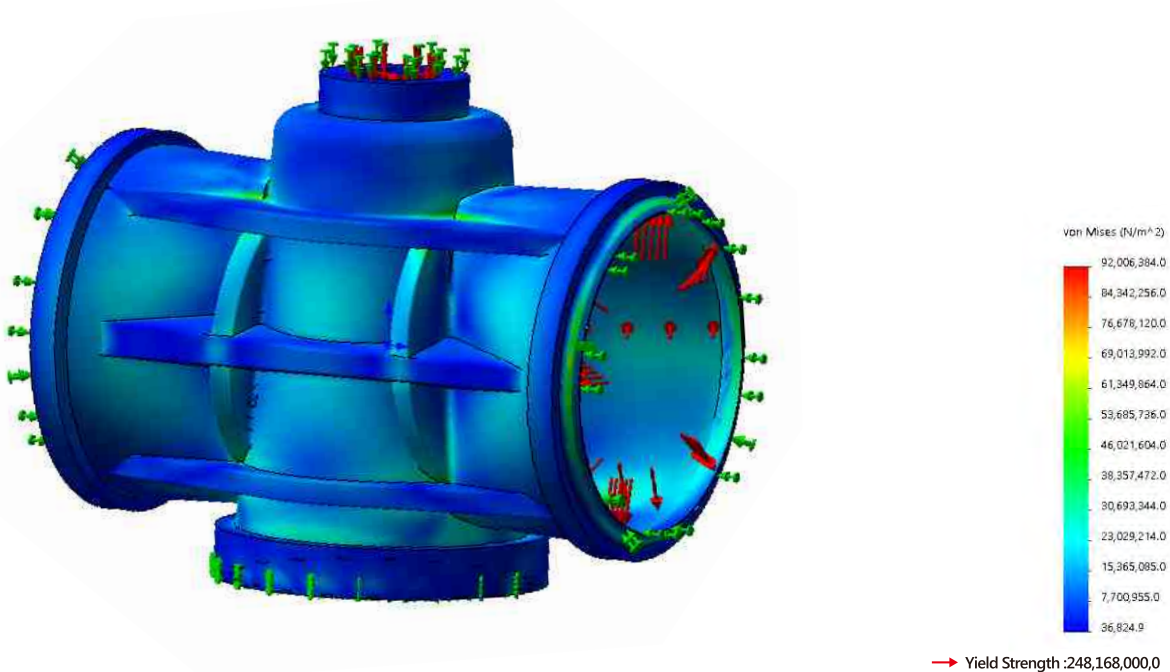
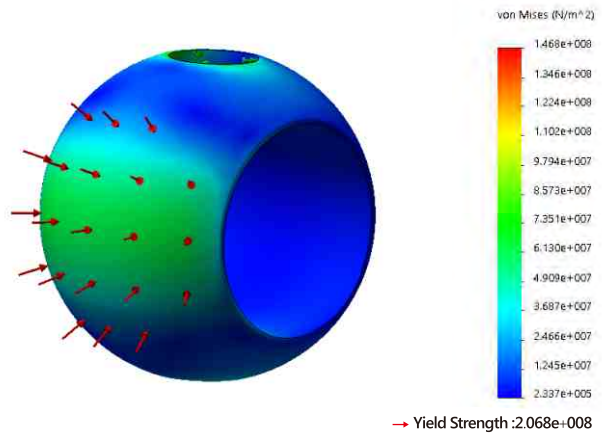
From the introduction of ISO 9001 and our documented quality management system which ensure that specific processes and procedures are created and adhered to, to our goal in satisfying customer expectations.



Supported by a strong Engineering Team, RAYS has invested AutoCAD / Solidworks (with Finite Element Analysis) for design and product development.

DESIGN & ENGINEERING

3D Design
Finite Element Analysis



CERTIFICATES & APPROVALS

- **API 6D**
- **API 600**
- **API 602**
- **CE-PED**
- **ISO 9001:2008**
- **ISO 14001:2004**
- **OHSAS 18001:2007**
- **API 607**
- **API 6FA**
- **ISO 15848-01**
- **EAC(GOST-R)**

RAYS CLIENTS



WORLDWIDE LOCATIONS

**RAYS FLOW CONTROL, INC.
(USA)**

**RAYS FLOW CONTROL, INC.
(CHINA)**



**RAYS FLOW CONTROL, C.A.
(VENEZUELA)**

GATE VALVE



BALL VALVE



GLOBE VALVE



CHECK VALVE



BUTTERFLY VALVE



OTHER VALVE





GATE VALVE

Size:NPS1/2"~56"

Pressure Rating:Class 150~2500

Material:WCB,LCB,WC6,WC9,C12,C5,CF8,CF8M,CF3,CF3M

Temperature:-29~540℃

Design & Manufacturing Standard:API 600,BS1414,ASME B16.34

Face to Face:ASME B16.10,BSEN 558

End connection:ASME B16.5,ASME B16.47,BSEN 1092

Test and Inspection:ISO5208,API600,BS6755

Structure type:OS & Y,Bolted bonnet,single wedge

Operation Method:Manual,Electric Actuator,Pneumatic Actuator



SLAB GATE VALVE

Size:NPS2"~48"

Pressure Rating:Class 150~1500Lb

Material:WCB,LCB,CF8,CF8M,CF3,CF3M

Design & Manufacturing Standard:ASME B16.34,API 6D

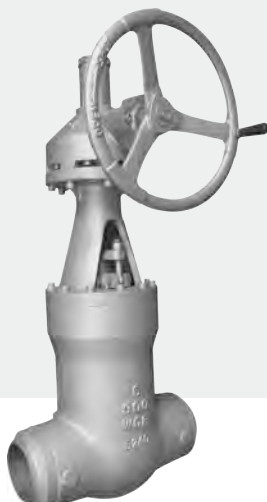
Face to Face:ASME B16.10,BSEN 588,API 6D

End connection:ASME B16.5,ASME B16.47,BSEN 1092

Test standard:ISO5208,API 6D,BSEN 12266

Structure type:Single Gate with/without through conduit,Double Gate with/without through conduit

Operation method:Manual,Worm Gear,Electric Actuator,Pneumatic Actuator



PRESSURE SEAL GATE VALVE

Size:NPS2"~24"

Pressure Rating:Class 600Lb~2500Lb

Material:WCB,WCC,WC6,WC9,C5,C12,LCB,LCC,CF8,CF8M,CF3,CF3M,CN7M,CF8C

Design & Manufacturing Standard:API600,BS1414

Face to Face:ASME B16.10,EN558

Flanged Dimension:ASME B16.5

Butt Weld Dimension:ASME B16.25

Pressure Temperature:ASME B16.34

Test and Inspection:API 598

Operation Method:Manual,Beree,Electric Actuator,Pneumatic Actuator,Hydraulic Actuator



FLOATING BALL VALVE

Size: NPS1/2"~12"

Pressure Rating: Class 150~1500

Material: WCB,LCB,CF8,CF8M,CF3,CF3M,A105,LF2,F304,F316,F304L,F316L

Design & Manufacturing Standard: API 608,API 6D,BS 5351,ASME B 16.34

Face to Face: ASME B16.10,API 6D,BSEN 558

End Connection: ASME B16.5,BSEN 1092

Test and Inspection: ISO5208,API 6D,BSEN 12266

Operation Method: Manual,Worm Gear,Electric Actuator,Pneumatic Actuator



TRUNNION MOUNTED BALL VALVE

Size: NPS2"~56"

Pressure Rating: Class 150~2500

Material: WCB,LCB,CF8,CF8M,CF3,CF3M,A105,LF2,F304,F316,F304L,F316L

Design & Manufacturing Standard: API 608,API 6D,BS 5351,ASME B 16.34

Face to Face: ASME B16.10,API 6D

End Connection: ASME B16.5,ASME B16.47,ASME B16.25

Test and Inspection: ISO5208,API 6D

Operation Method: Manual,Worm Gear,Electric Actuator,Pneumatic Actuator



TOP ENTRY BALL VALVE

Size: NPS2"~24"

Pressure Rating: Class 150~2500

Material: WCB,LCB,CF8,CF8M,CF3,CF3M,A105,LF2,F304,F316,F304L,F316L

Design & Manufacturing Standard: API 608,API 6D,BS 5351,ASME B 16.34

Face to Face: ASME B16.10,API 6D

End Connection: ASME B16.5,ASME B16.47,ASME B16.25

Test and Inspection: ISO5208,API 6D

Operation Method: Manual,Worm Gear,Electric Actuator,Pneumatic Actuator



FULLY WELDED BALL VALVE (UNDERGROUND)

Size: NPS2"~48"

Pressure Rating: Class 150~1500

Material: A105,LF2,F304,F316,F304L,F316L

Design & Manufacturing Standard: API 608,API 6D,BS 5351,ASME B 16.34

Face to Face: ASME B16.10,API 6D,DIN 3202

End Connection: ASME B16.5,DIN2543-2550,ASME 16.25

Test and Inspection: ISO5208,API 6D,BS6755

Operation Method: Manual,Worm Gear,Electric Actuator,Pneumatic Actuator



SMALL SIZE BALL VALVE

Size: NPS1/2"~2"

Pressure Rating: Class800,Class1500

Material: WCB,CF8,CF8M,CF3,CF3M,A105,F304,F316

Design & Manufacturing Standard: ASME B 16.34,API608

Face to Face: Manufacturing Standard

End Connection: ASME B16.25,ASME B1.20.1,ASME B16.11,ASME B16.5

Test and Inspection: ISO5208,API 6D

Operation Method:Manual,Worm Gear,Electric Actuator,Pneumatic Actuator



THREE WAY BALL VALVE (L PORT/T PORT)

Size: 1/2"-8"

Pressure Rating: 150LB-300LB

Material: WCB,LCB,CF8,CF8M,CF3,CF3M

Design & Manufacturing Standard: ISO 17292

Face to Face: Manufacturer Standard

End Connection: DIN 2545, ASME B16.5

Test and Inspection: API 598

Operation Method: Lever, Gear, Pneumatic Actuator, Electrical Actuator

CRYOGENIC BALL VALVE



Size: NPS1/2"~10"

Pressure Rating: Class 150~600

Material: LCB,LCC,CF8,CF8M,CF3,CF3M,CN7M,CF8C,LF2,F304,F304L,F316,F316L

Design & Manufacturing Standard: ASME B16.34,API 6D,API 608,BS 5351,BS 6364

Face to Face: ASME B16.10,API 6D, EN 558

Flanged Dimension: ASME:B16.5,(DIN 2501)

Butt weld Dimension: ASME B16.25

Pressure Temperature: ASME B16.34,BS6364

Test and Inspection: API 598,API 6D

Operation Method: Manual,Worm Gear,Electric Actuator,Pneumatic Actuator,Gas Over Oil Actuator

V TYPE BALL VALVE



Size: NPS2"~24"

Pressure Rating: Class 150~1500

Material: WCB,WCC,WCC9,C5,C12,CF8,CF8M,CF3,CF3M,CN7M,A105,F22,F9,F5,F304,F316,F304L,F316L,F321,ALLOY-20

Design & Manufacturing Standard: API 6D,ASME B 16.34,API 608,BS5351

Face to Face: ASME B16.10,API 6D,EN 558

Flanged Dimension: ASME B16.5 (DIN 2501)

Butt Weld Dimension: ASME B16.25

Pressure-Temperature: ASME B16.34

Test and Inspection: API 598,API6D

Operation Method: Manual,Worm Gear,Electric Actuator,Pneumatic Actuator,Gas Over Oil Actuator
Anti-static design,fire safe design as per API607/6FA

ECCENTRIC HALF BALL VALVE



Size: NPS2"~56"

Pressure Rating: Class 150~2500

Material: WCB,LCB,CF8,CF8M,CF3,CF3M,A105,LF2,F304,F316,F304L,F316L

Design & Manufacturing Standard: API 608,API 6D,BS 5351,ASME B 16.34

Face to Face: ASME B16.10,API 6D

End Connection: ASME B16.5,ASME B16.47,ASME B16.25

Test and Inspection: ISO5208,API 6D

Operation Method: Manual,Worm Gear,Electric Actuator,Pneumatic Actuator

GLOBE VALVE



Size: NPS2"~24"

Pressure Rating: Class 150~1500

Material: 2"-24":WCB,LCB,WC6,WC9,C12,C5,CF8,CF8M,CF3,CF3M

Design & Manufacturing Standard: BS 1873,ASME B16.34

Face to Face: ASME B16.10

Flanged Dimension: ASME B16.5 ,ASME B16.47,BSEN 1092

End Connection: BSEN 558,ASME B16.5,BSEN1092

Test and Inspection: ISO5208,BS6755

Structure type: Straight type,angle type,throttle type

Operation Method: Manual,Electric Actuator,Pneumatic Actuator

CRYOGENIC GLOBE VALVE



Size: NPS1/2"~12"

Pressure Rating: Class 150Lb~800Lb

Material: LCB,LCC,CF8,CF8M,LC3,LF2,LF3,F304,F316

Design & Manufacturing Standard: BS 1873,ASME B16.34,API 602 BS5352

Face to Face: ASME B16.5 EN558(Threaded and sw as per manufacturer std)

Flanged Dimension: ASME B16.5,(BSEN 1092)

Butt Weld Dimension: ASME B16.25

Threaded end Dimension: ASME B1.20.1

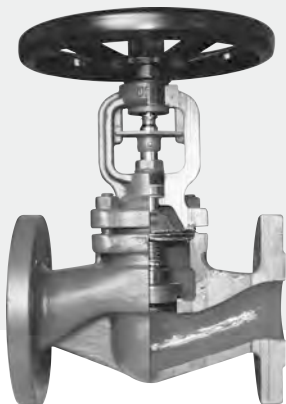
Socketweld Dimension: ASME B16.11

Pressure Temperature: ASME B16.34

Test and Inspection: API 598,BS 6364

Operation Method:Manual,Worm Gear,Electric Actuator,Pneumatic Actuator,Hydraulic Actuator

BELLOW SEAL GLOBE VALVE



Size: NPS2"~12"

Pressure Rating: Class 150~600Lb

Material: WCB,WCA,WCC,WC6,WC9,C5,C12,LCB,LCC,CF8,CF8M,CF3,CF3M,CN7M,CF8C

Design & Manufacturing Standard: ASME B16.34

Face to Face: ASME B16.10,EN588,(DIN 3202)

Flanged Dimension: ASME B16.5 ,(DIN 2501)

Butt Weld Dimension: ASME B16.25

Pressure Temperature: ASME B16.34

Test and Inspection: API 598

Operation Method: Manual,Electric Actuator,Pneumatic Actuator,Hydraulic Actuator



CHECK VALVE

Size: NPS 2"~36"

Pressure Rating: Class 150~2500

Material: 2"~36":WCB,LCB,WC6,WC9,C12,C5,CF8,CF8M,CF3,CF3M

Design & Manufacturing Standard: API 600,BS1868,ASME B16.34

Face to Face: ASME B16.10,API 6D BS EN 558

End connection: ASME B16.5,ASME B16.47,ASME B1.20.1 ASME B16.11,DIN 2453~2551, ASME B16.25

Test and Inspection: ISO5208,API600,BS6755

Operation Method: Swing Type, Lifting Type



PRESSURE SEAL SWING CHECK VALVE

Size: NPS2"~36"

Pressure Rating: Class 900~2500Lb

Material: WCB,WCA,WCC,WC6,WC9,C5,C12,LCB,LCC,CF8,CF8M,CF3,CF3M,CN7M,CF8C

Design & Manufacturing Standard: BS1868,ASME B16.34,API 6D

Face to Face: ASME B16.10,API 6D,EN 588(DIN 3202)

Flanged dimension: ASME B16.15,ASME B16.47,(DIN 2501)

Butt weld dimensions: ASME B16.25

Pressure-temperature: ASME B16.34

Test and Inspection: BS 12266,API598



WAFER CHECK VALVE

Size: NPS2"~40"

Pressure Rating: Class 150~1500Lb

Material: WCB,WCA,WCC,WC6,WC9,C5,C12,LCB,LCC,CF8,CF8M,CF3,CF3M,CN7M,CF8C

Design & Manufacturing Standard: API594, API 6D, ASME B16.34

Face to Face: API 594,API 6D

Flanged Dimension: ASME B16.5,ASME B16.47

Test and Inspection: API 6D,ISO5208



FLANGE BUTTERFLY VALVE

Size: NPS2"~48"

Pressure Rating: Class 150~300

Material: WCB,WCC,WC6,WC9,C5,C12,LCB,LCC,CF8,CF8M,CF3,CF3M,CN7M,CF8C

Design & Manufacturing Standard: API 609,ASME B16.34,BSEN 593

Face to Face: NPS \leq 24" as per API 609 NPS > 24" as per BSEN 558

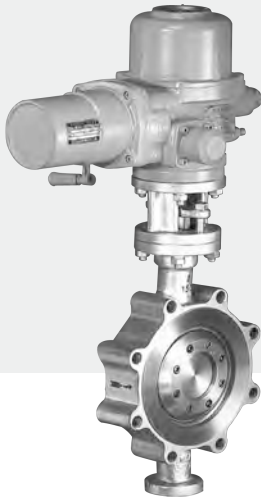
Flanged Dimension: ASME B16.5,ASME B16.47,BSEN 1092

Pressure-Temperature: ASME B16.34

Test and Inspection: API 598,BSEN 12266

Structure Type: Centerline,Double eccentric

Operation Method: Manual,Worm Gear,Electric Actuator,Pneumatic Actuator,Gas Over Oil Actuator



LUG TYPE BUTTERFLY VALVE

Size: NPS2"~48"

Pressure Rating: Class 150~300

Material: WCB,WCC,WC6,WC9,C5,C12,LCB,LCC,CF8,CF8M,CF3,CF3M,CN7M,CF8C

Design & Manufacturing Standard: API 609,ASME B16.34,BSEN 593

Face to Face: NPS \leq 24" as per API 609 NPS > 24" as per BSEN 558

Pressure-Temperature: ASME B16.34

Test and Inspection: API 598,BSEN 12266

Structure Type: Centerline,Double eccentric

Operation Method: Manual,Worm Gear,Electric Actuator,Pneumatic Actuator,Gas Over Oil Actuator



WAFER BUTTERFLY VALVE

Size: NPS2"~48"

Pressure Rating: Class 150~300

Material: WCB,WCC,WC6,WC9,C5,C12,LCB,LCC,CF8,CF8M,CF3,CF3M,CN7M,CF8C

Design & Manufacturing Standard: API 609,ASME B16.34,BSEN 593

Face to Face: NPS \leq 24" as per API 609 NPS > 24" as per BSEN 558

Pressure-Temperature: ASME B16.34

Test and Inspection: API 598,BSEN 12266

Structure Type: Centerline,Double eccentric

Operation Method: Manual,Worm Gear,Electric Actuator,Pneumatic Actuator,Gas Over Oil Actuator



Y TYPE/BASKET TYPE STRAINER

Size: NPS2"~36"

Pressure Rating: Class 150~900Lb

Material: WCB,WCA,WCC,WC6,WC9,C5,C12,LCB,LCC,CF8,CF8M,CF3,CF3M,CN7M,CF8C

Design & Manufacturing Standard: ASME B16.34

Face to Face: ASME B16.10,EN 588

Flanged: ASME B16.15,(BSEN 1092)

Butt weld Dimensions: ASME B16.25

Pressure-Temperature: ASME B16.34

Test and Inspection: API598



SMALL SIZE FORGED STEEL VALVE

Size: NPS1/2"~2"

Pressure Rating: Class 150~1500Lb

Material: A105,LF2,F5,F9,F11,F22,F304,F304L,F311,F51

Design & Manufacturing Standard: API602, ASME B16.34,BS 5352

Face to Face: ASME B16.10,EN558(threaded and sw as per manufacturer's std)

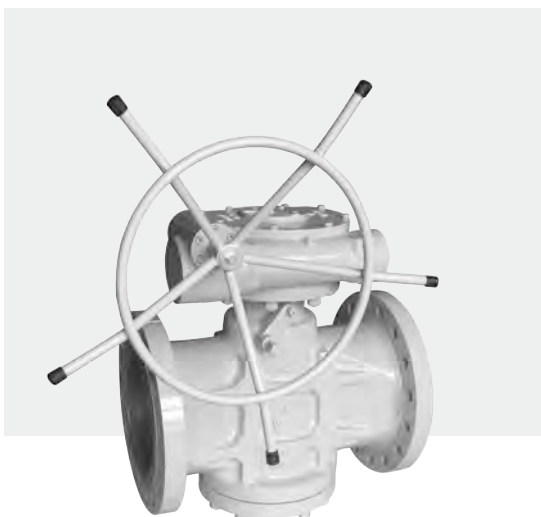
Flanged Dimension: ASME B16.5

Butt Weld Dimension: ASME B16.25

Thread Connection Dimensions: ASME B1.20.1

Test and Inspection: API 598

Type: Gate,globe,check



PLUG VALVE

Size: NPS 2"~24"

Pressure Rating: Class 150~1500

Material: WCB,LCB,CF8,CF8M,CF3,CF3M

Design & Manufacturing Standard: ASME B16.34,API 6D,API 599

Face to Face: ASME B16.10,API 6D

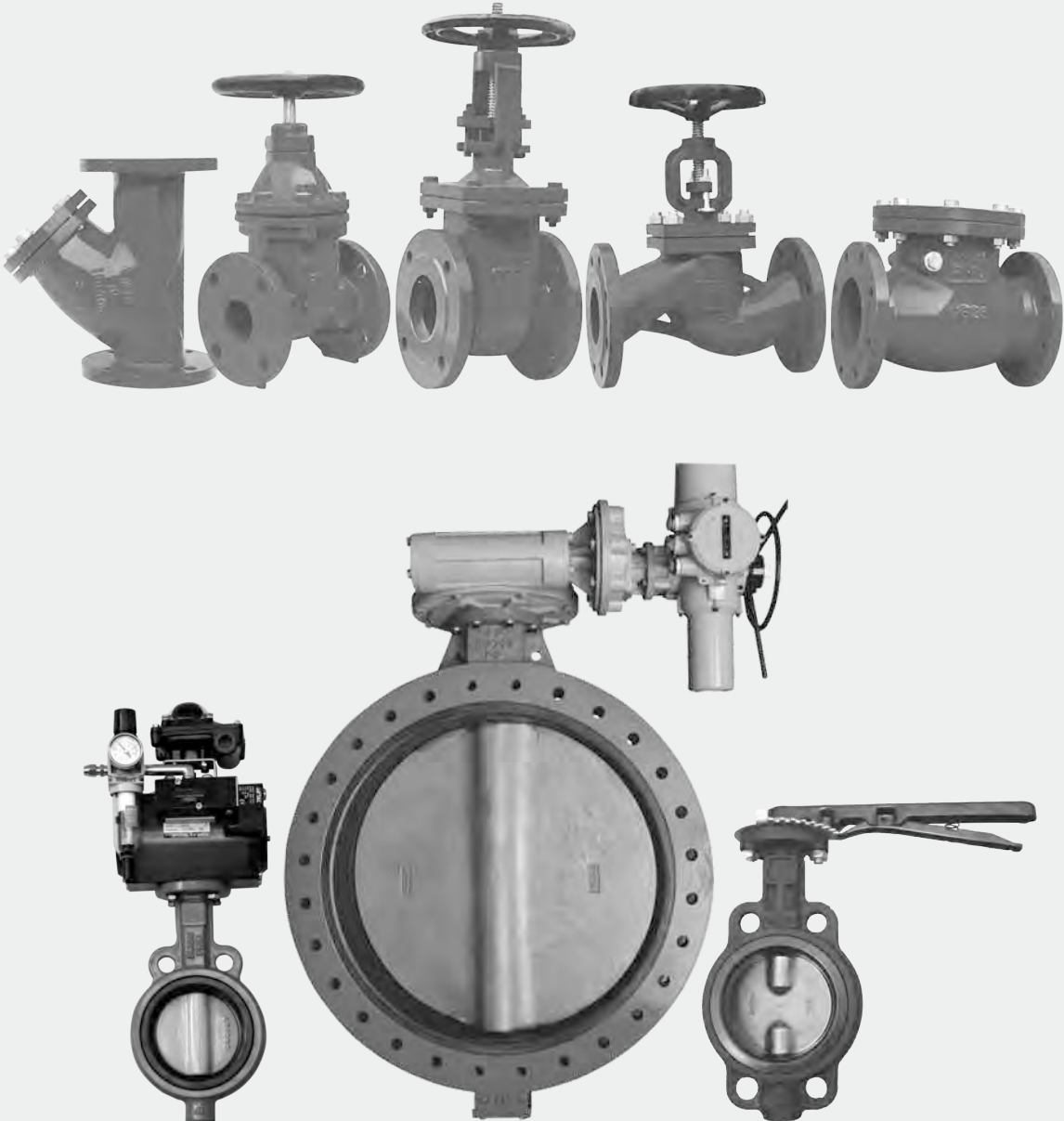
End connection: ASME B16.5,ASME B16.25

Test standard: ISO5208,API 6D

Structure type: Short Type,Regular Type,Venturi,Type,Full Operation Type

Operation method: Manual,Worm Gear,Electric Actuator,Pneumatic Actuator

CAST IRON VALVE SERIES





INDUSTRIAL VALVE SOLUTIONS



**RAYS FLOW CONTROL, INC.
(CHINA)**

**No.18, Yangliuhe Road,
Bailongshan Street, Yunhe,
Zhejiang, China 323600**

**Tel: +86-577-66999000
Fax: +86-577-66999009
Web: www.raysvalve.com
E-mail: info@raysvalve.com**



**RAYS FLOW CONTROL, INC.
(USA)**

**9700 Richmond Ave,
Ste 104, Houston,
TX 77042, USA.**

**Tel: +1 (832) 827-3427
Fax: +1 (832) 952-0250
web: www.raysvalve.com
E-mail: info@raysvalve.com**



**RAYS FLOW CONTROL, C.A.
(VENEZUELA)**

**Av. Centurión, Qta Gaja 01,
Barcelona, Anzoátegui.
Venezuela**

**Tel: +58-281.5147186
E-mail: luisb@raysvalve.com**

Distributed by | Distribuido por :



ANYTHING
≈ FLOWS ≈

INFO@ANYTHINGFLOWS.COM

WWW.ANYTHINGFLOWS.COM

Flow Control , our passion ®

Life Flows on ™



SCAN ME