

# PRODUCTS

## ON-OFF QUARTER TURN BALL VALVES

### VALVE TYPE

DOUBLE BLOCK & BLEED  
TO EEMUA 182/ASME  
B 16.34

APPLICATION  
INSTRUMENTATION  
PIPELINE  
SUBSEA

### TEMPERATURE RANGE

-196° C – +350° C

### RATINGS RANGE

API 6D-API 6A



DOUBLE BLOCK AND BLEED VALVES

# MATERIAL SELECTION

## Forging

Carbon Steel: A105/LF2

Stainless Steel AISI 316

Duplex Stainless Steel F51

Super Duplex Steel F53 / F55

Inconel 625 / 825 / 718

Incoloy / Low alloy



## Casting

Carbon Steel: WCB / WCC / LCC

Stainless Steel : CF8M

Duplex Stainless Steel: A894 Gr. 4A

Super Duplex Steel : A894 Gr. 5A/ 6A

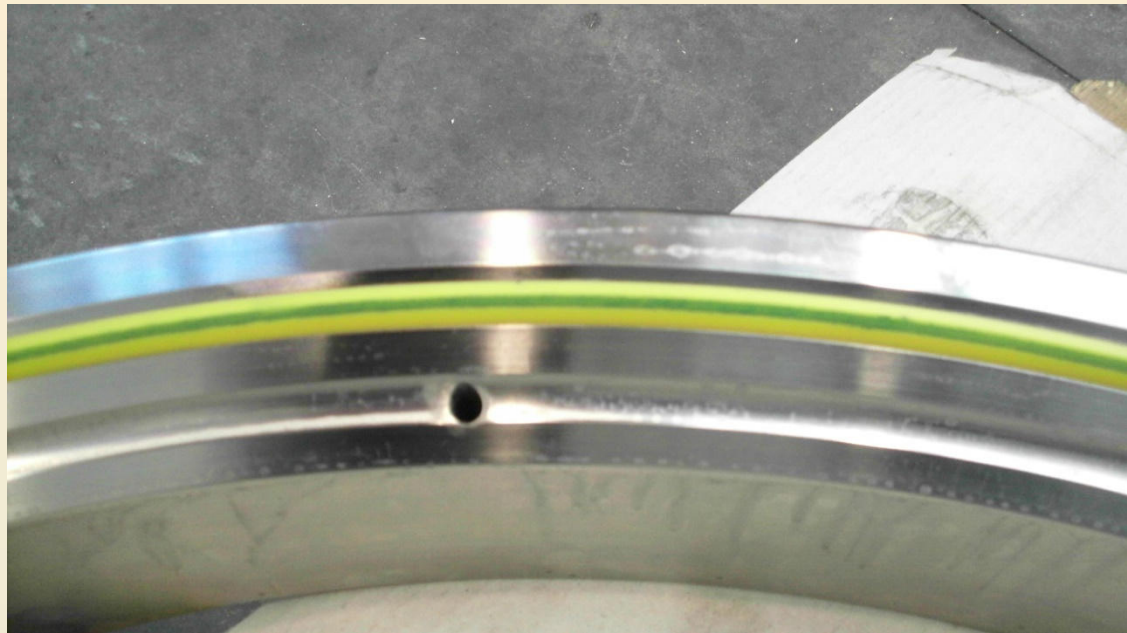


# SEAT TO BALL SEALING

RPTFE, PEEK, KEL-F, DEVLON, NYLON

METAL / METAL

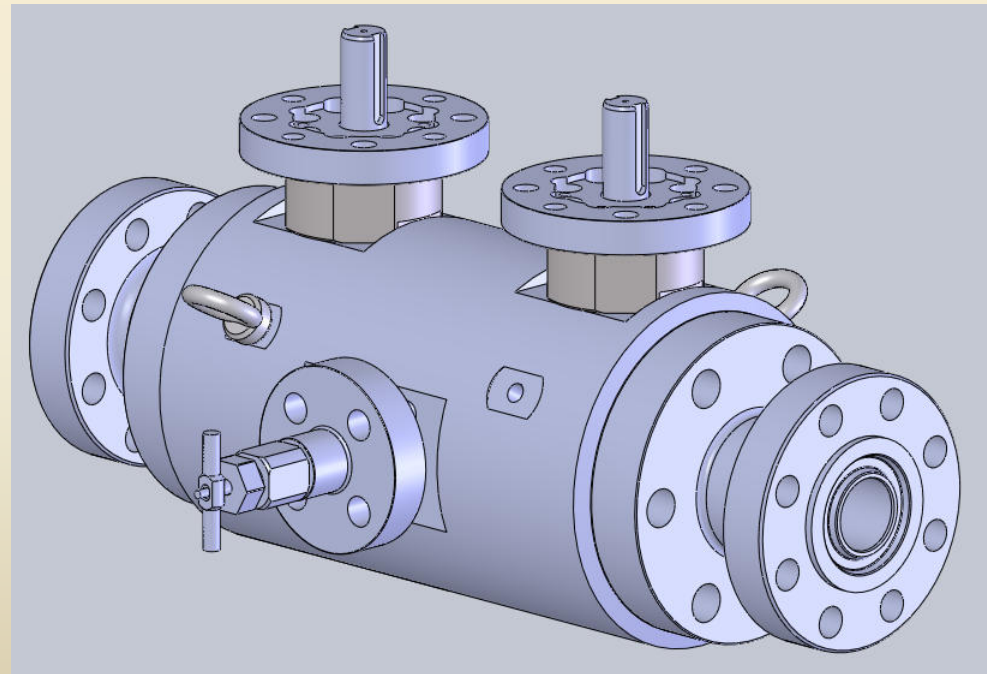
TCC & CCC



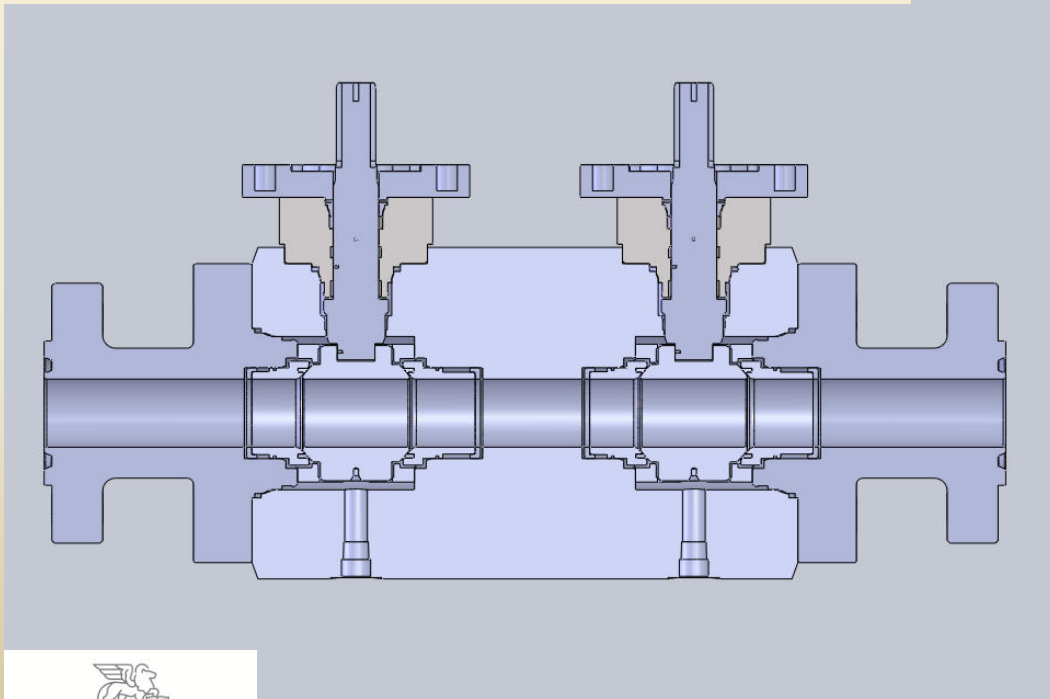
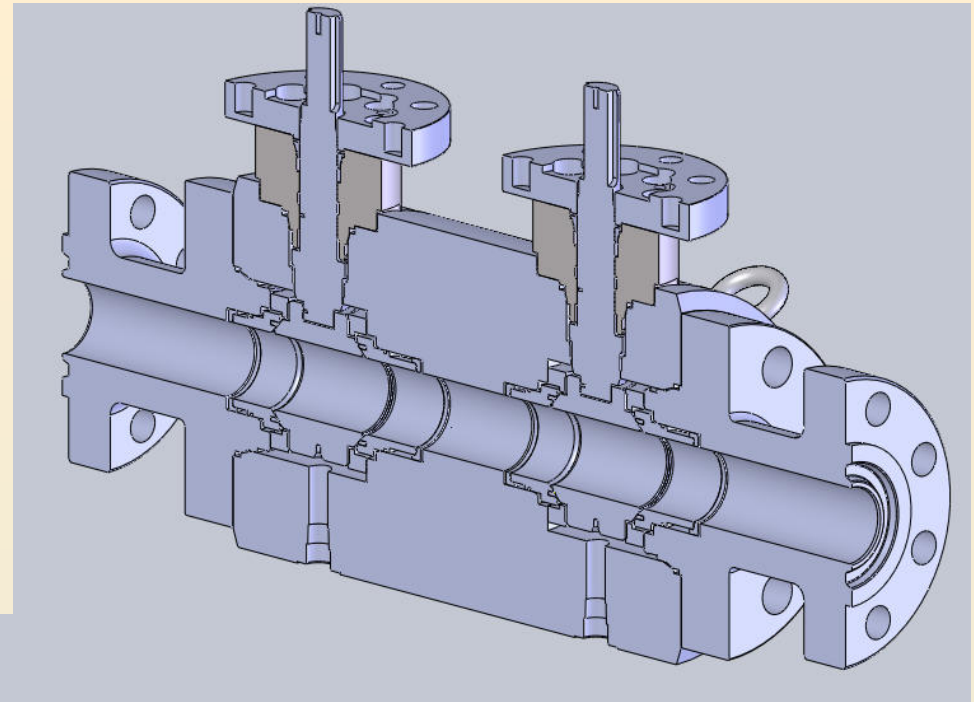
VITON O-RING (B, GLT, AED, ETC)

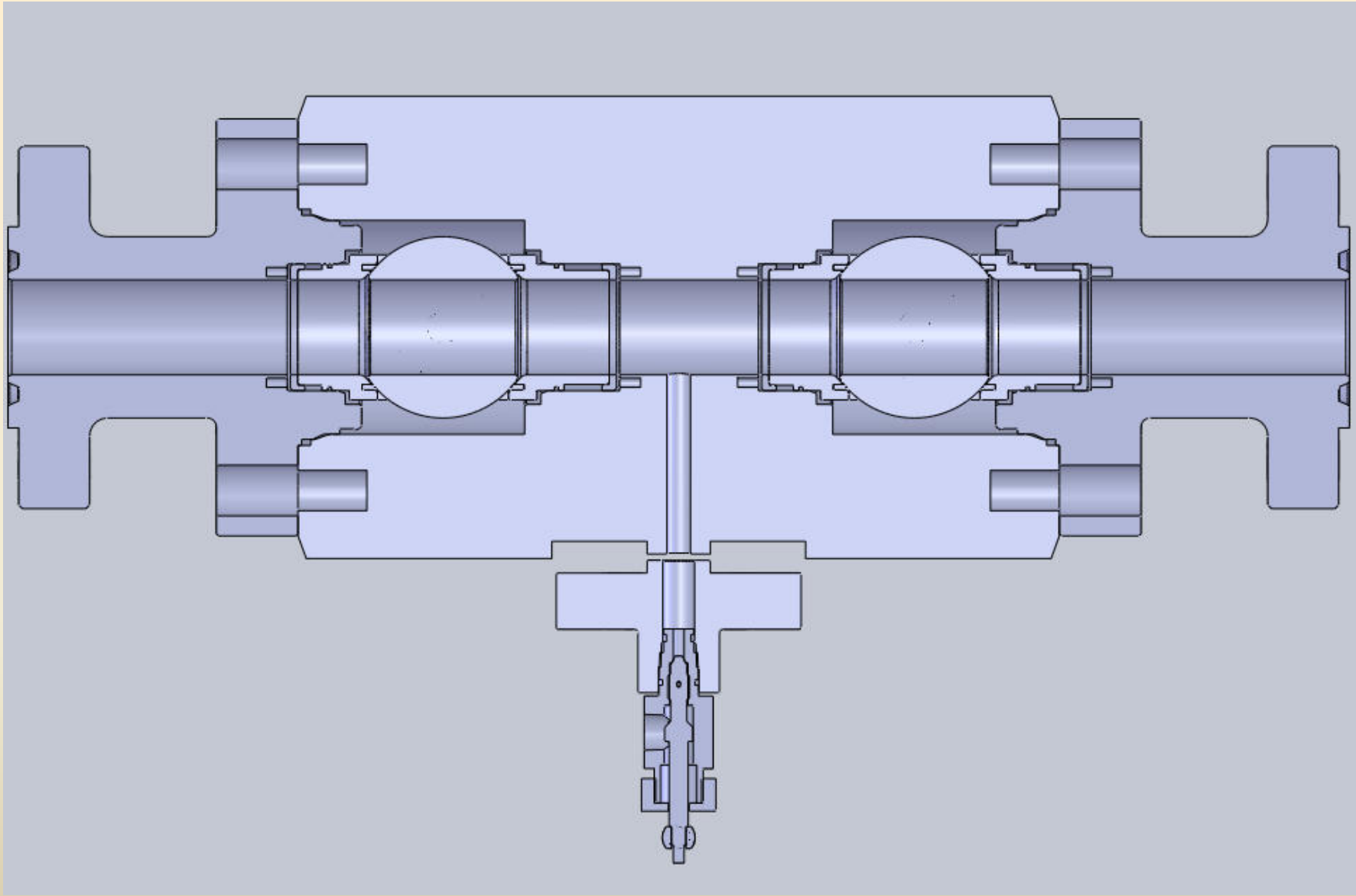
SECONDARY SEALING LIP-SEALS

# Trunnion mounted modular Type DBB



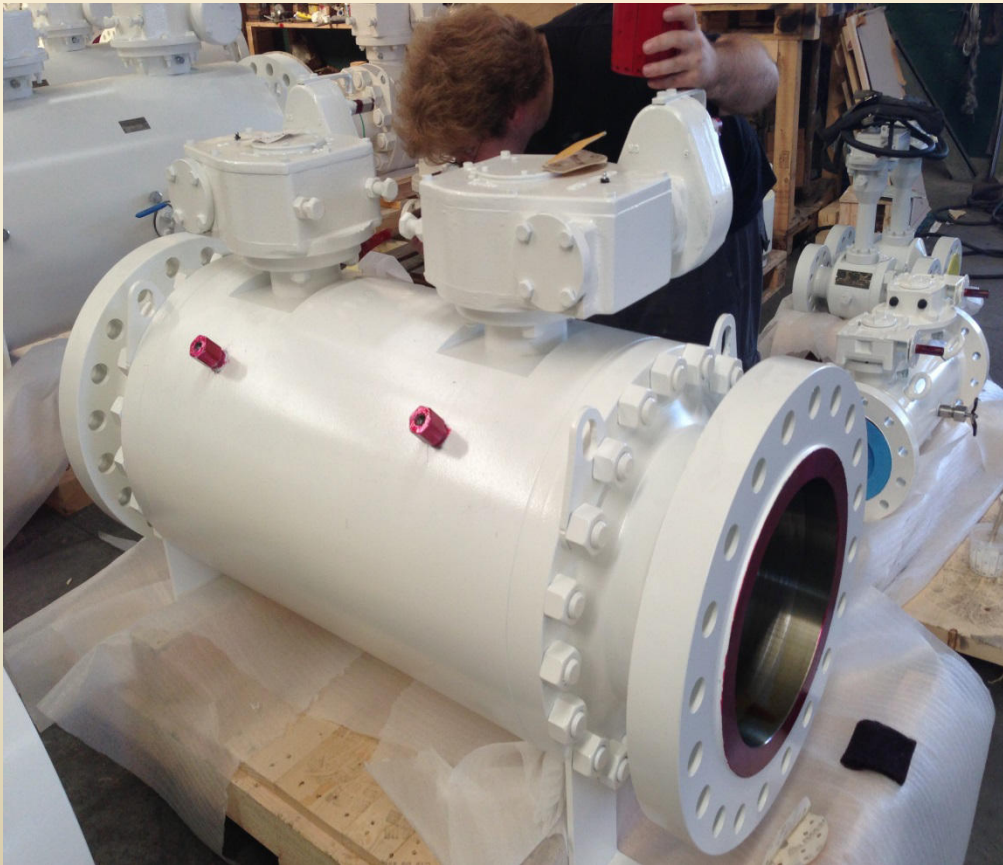
IN-HOUSE DESIGN & ENGINEERING

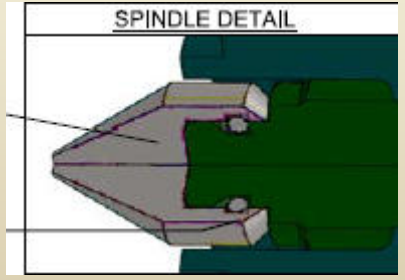
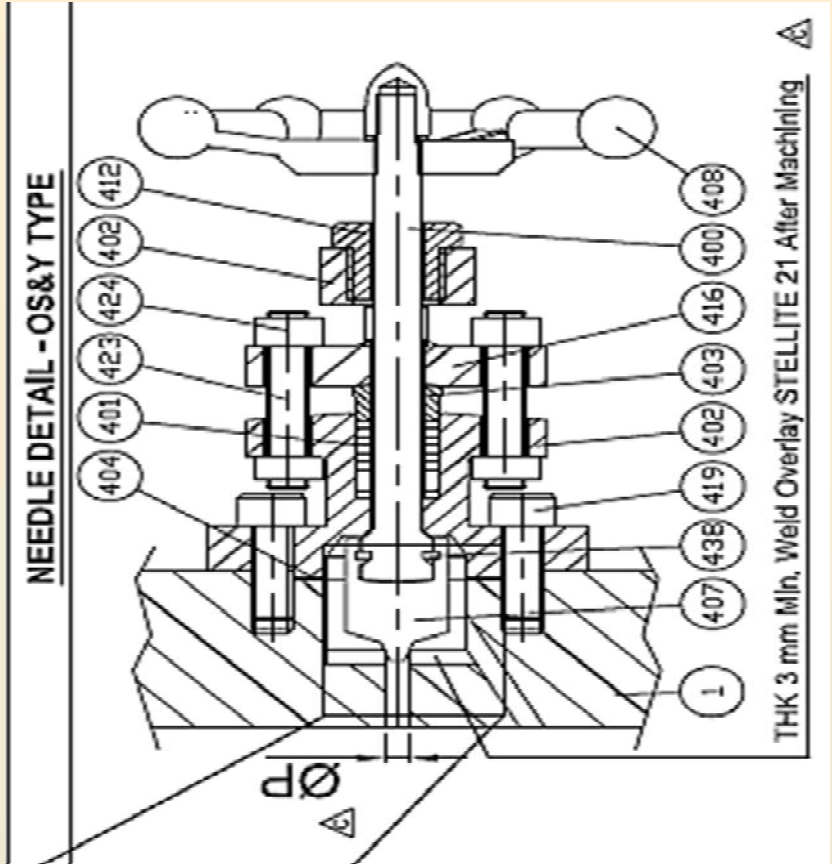
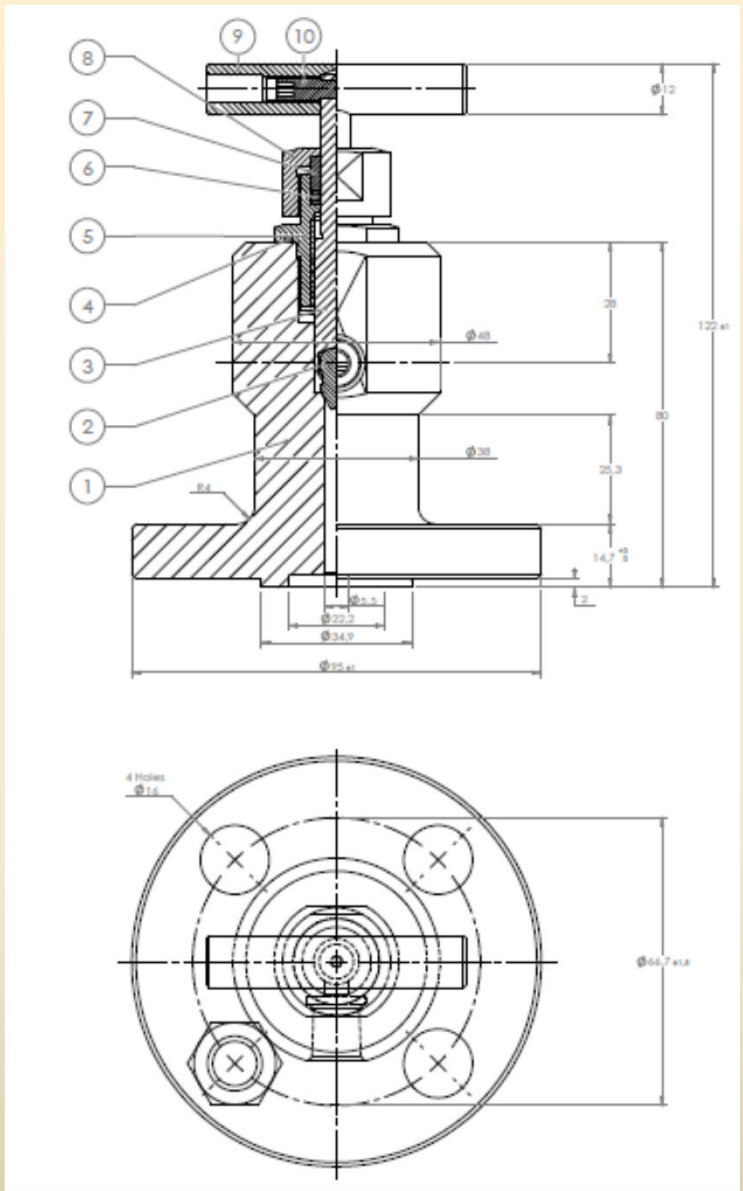




## APACHE VARANUS - AUSTRALIA

2 up to 18 inch – rating 300/1500



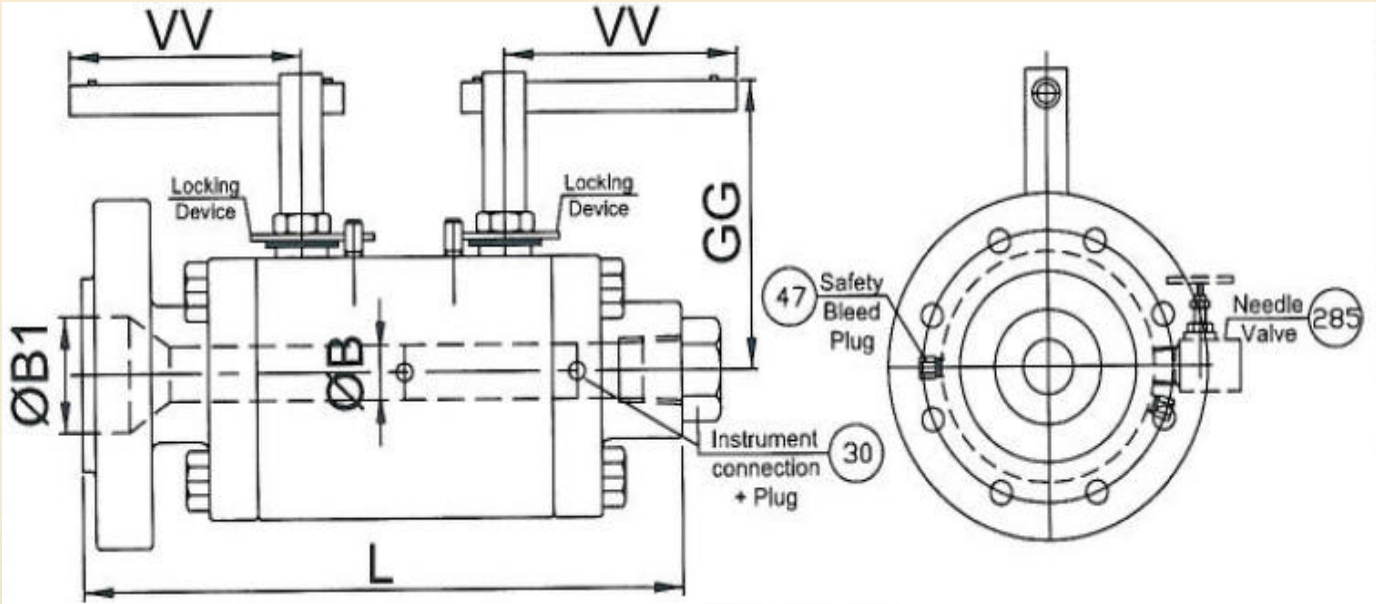


**NEEDLE BLEEDER VALVES**



# NEXEN PETROLEUM LTD UK (ENCANA)

Instrument floating flanged x NPT connection

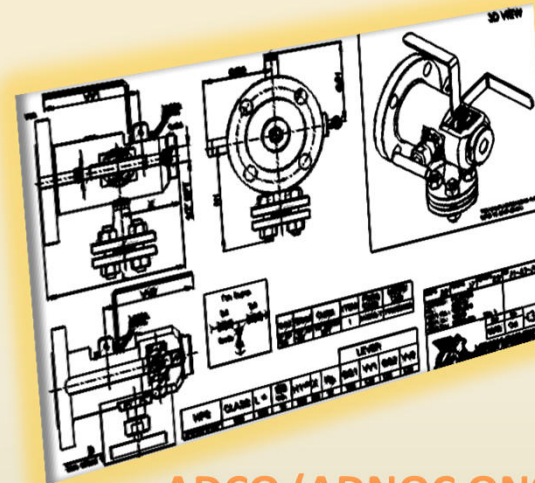


						LEVER	
NPS	CLASS	L	ØB	ØB1	Kg	GG	VV
2"x1/2"	300	212	14	51	12	120	330



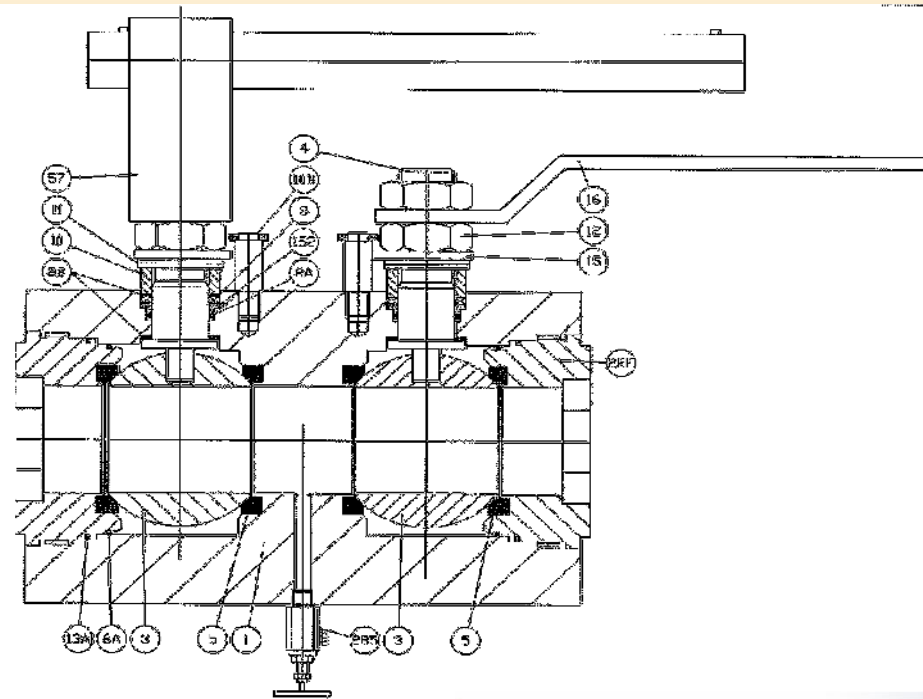
**ADCO (ADNOC ONSHORE)  
EPC OF TIE-IN WORKS AT SOUTH EAST (PCK  
B)**

**INSTRUMENT FLOATING 10 mm bore  
2 x 1x ½ - rating 2500  
Superduplex  
Interlocked**

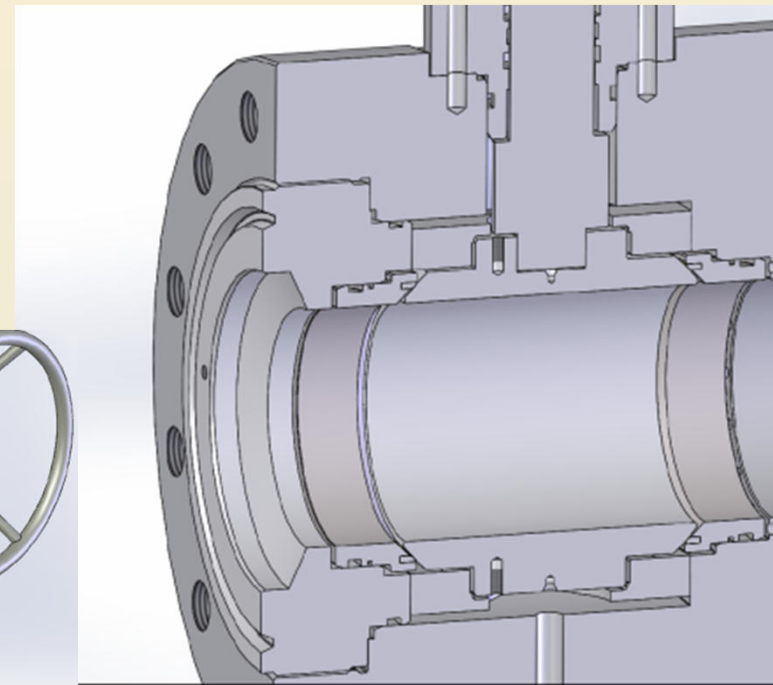
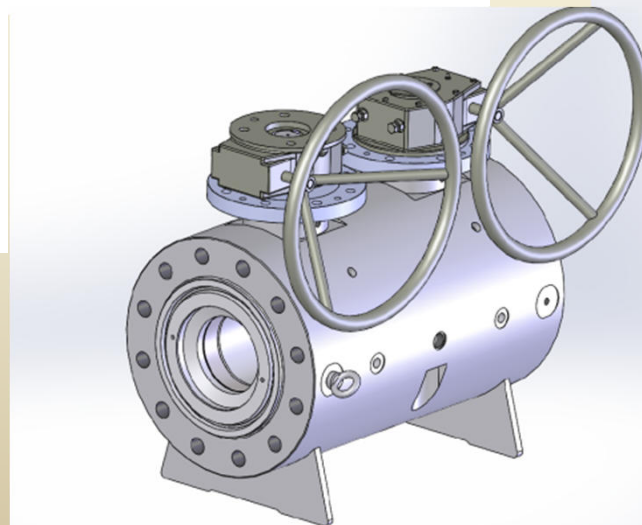
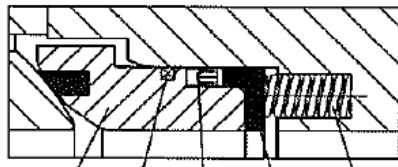


**ADCO (ADNOC ONSHORE)  
Mender Field  
INSTRUMENT FLOATING 10 mm bore  
2 x ½x ½ - rating 150/1500  
Superduplex  
Alloy 825**

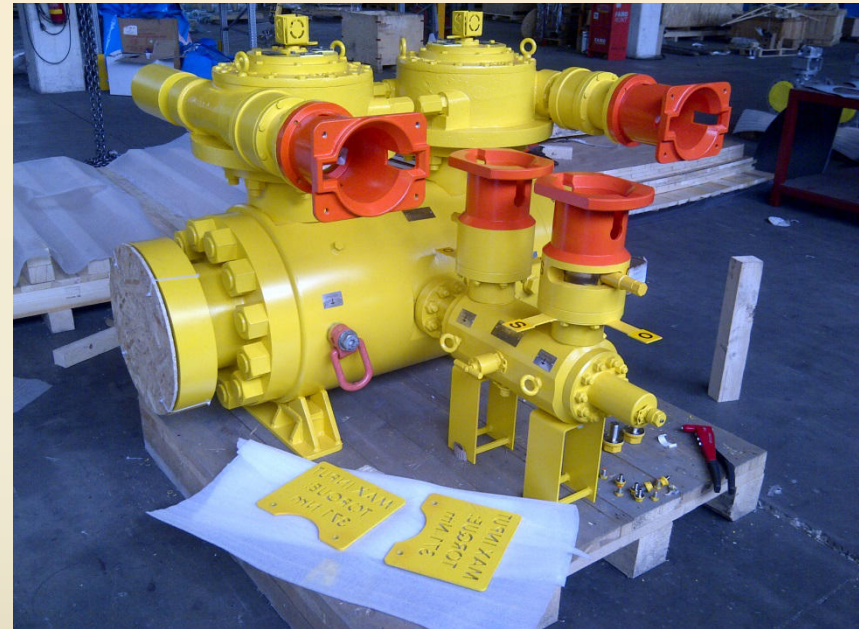
Cartridge type  
SAKHALIN ENERGY INVESTMENT CO.  
2X2X 1/2 rating 150/2500  
LTCS/SS316  
LOW TEMPERATURE TEST TO MESC SPE



SEAT DETAIL

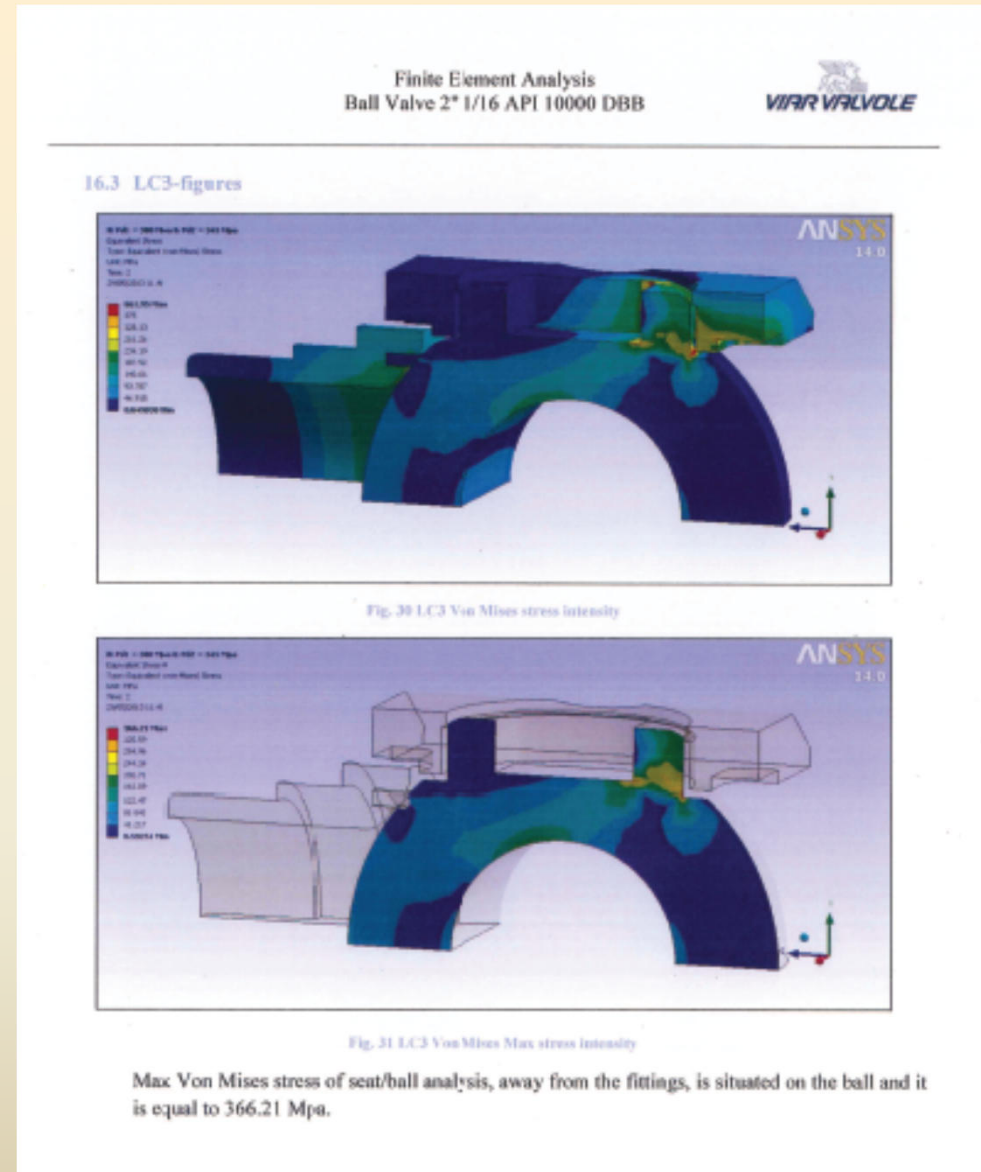
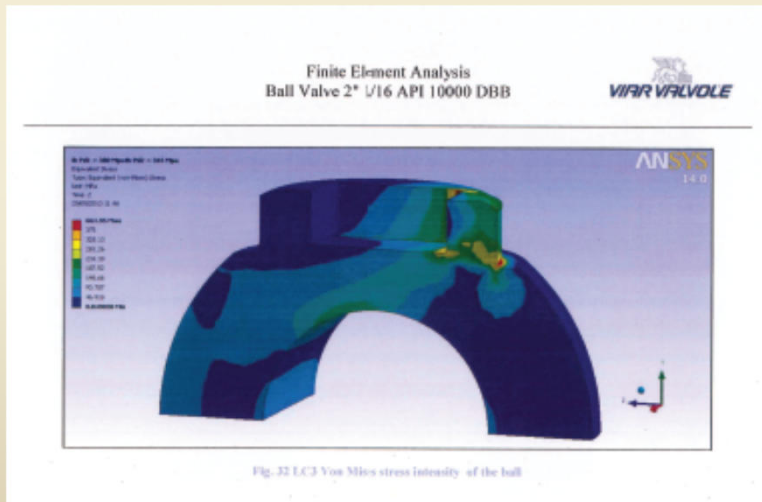


**INLET FLANGE 6BX 151 RING GROVE –  
ENDS 9" RTJ API 5000  
C/W 1-13/16 " API 10000 BLEEDER  
SUB SEA  
NEXEN – UK  
Materials : superduplex – metal seated**



# FINITE ELEMENT ANALYSIS

## Ball & Seat Ball & Seat Contact Pressure



Distributed by | Distribuido por :



**ANYTHING**  
**≈ FLOWS ≈**

[INFO@ANYTHINGFLOWS.COM](mailto:INFO@ANYTHINGFLOWS.COM)

[WWW.ANYTHINGFLOWS.COM](http://WWW.ANYTHINGFLOWS.COM)

**Flow Control , our passion ®**

**Life Flows on ™**



**SCAN ME**