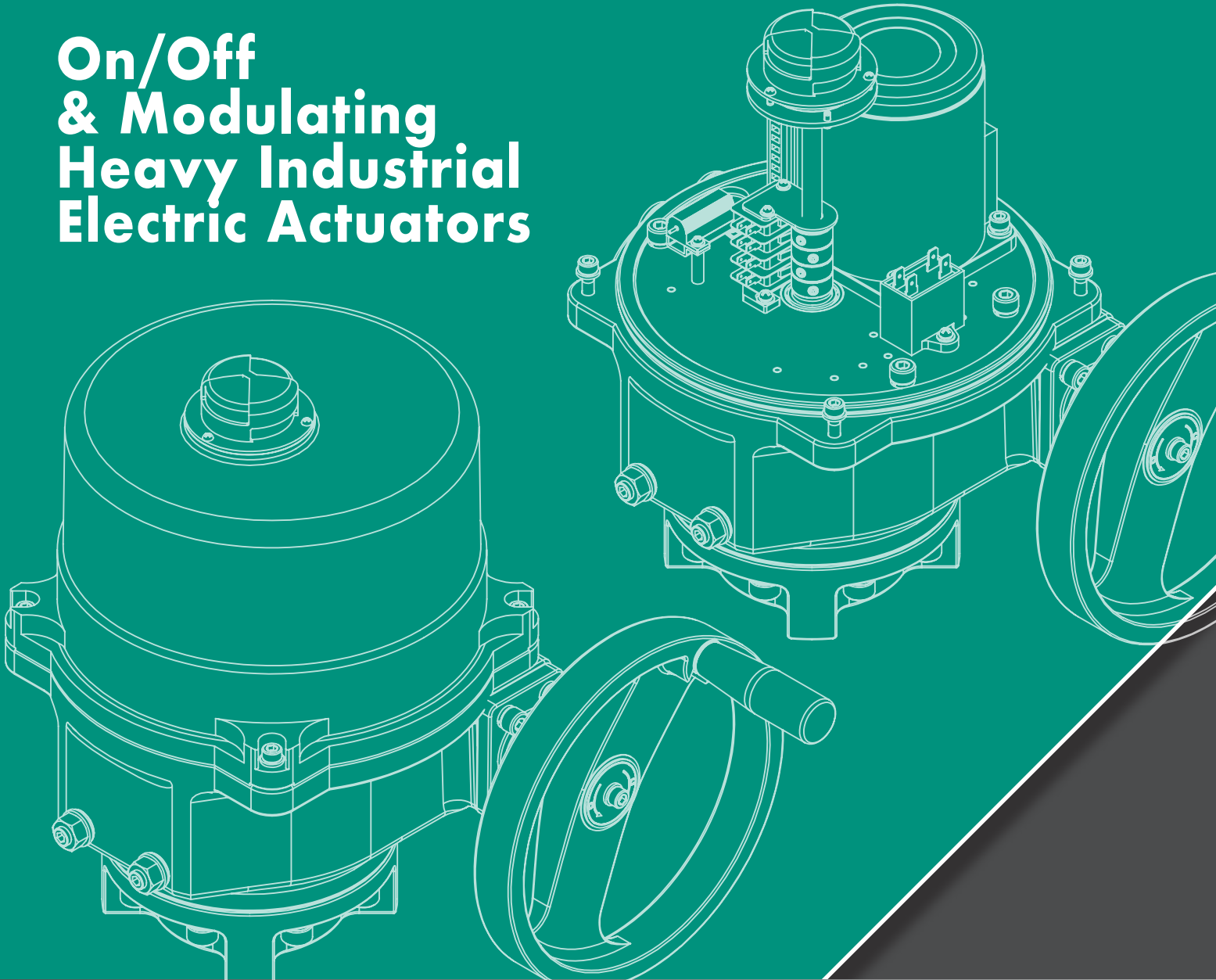


**Max-Air**

TECHNOLOGY

*The Best Way To Automate Your Process*

**On/Off  
& Modulating  
Heavy Industrial  
Electric Actuators**

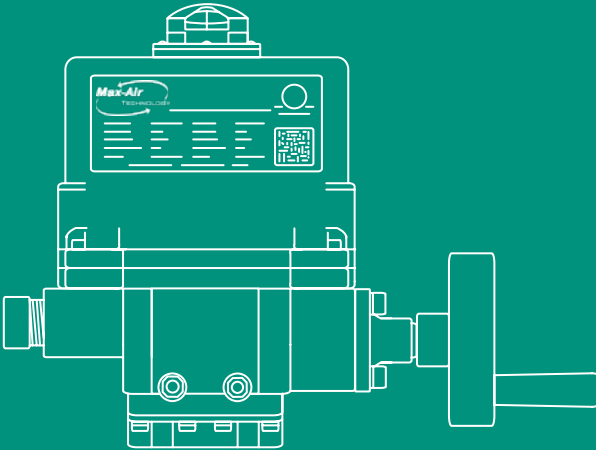


**ME Series Technical Brochure**

*Max-Air Technology Inc. | Rotary Actuators & Valve Automation Solutions*

# ME Series Electric Actuators

Standard On/Off & Modulating, for Heavy Industrial Applications.



ME Series industrial electric actuators come standard with a heavy duty, NEMA 4/4X/IP67 aluminum enclosure, 3D position indicator, auxiliary limit switches, and internal heater. ME Series actuators are available in 120VAC or dual voltage 24VAC/24VDC models for On/Off/Jog or Modulating control. Additional voltages and customizations also available.

## ME Series Part Number Builder



### A - SERIES

- MES = Electric, On/Off/Jog
- MEC = 2 Pos Relay Close
- MEO = 2 Pos Relay Open
- MEM = Electric, 4-20mA In/Out
- MEV = Electric, 2-10vdc In/Out
- MET = 0°-45°-90° Control
- MEE = 0°-90°-180° Control

### B - SIZE

- 15\* = 266 in-lbs
- 22 = 310 in-lbs
- 23 = 440 in-lbs

INCLUDES HANDWHEEL OVERRIDE

- 22H = 310 in-lbs
- 23H = 440 in-lbs
- 32H = 880 in-lbs
- 33H = 1,770 in-lbs
- 42H = 3,540 in-lbs
- 43H = 5,310 in-lbs
- 44H = 7,080 in-lbs
- 45H = 8,850 in-lbs
- 46H = 15,040 in-lbs
- 47H = 20,350 in-lbs
- 52H = 30,970 in-lbs
- 53H = 44,250 in-lbs
- 62H = 70,800 in-lbs
- 72H = 115,000 in-lbs
- 73H = 140,000 in-lbs
- 74H = 177,000 in-lbs

### C - VOLTAGE

- AUTO = 24~265VAC/VDC (Size 15 ONLY)
- 12VD = 12vdc
- 12AD = 12vac/vdc
- 12VA = 12vac
- 24VD = 24vdc
- 24AD = 24vac/vdc
- 24VA = 24vac
- 120A = 120/1 60Hz
- 230A = 230/1 60Hz

### 3-PHASE OPTIONS

- (See list to the right)
- 2303 = 230/3/60Hz
  - 3803 = 380/3/60Hz
  - 4803 = 480/3/60Hz
  - 5753 = 575/3/60Hz

### D - OPTIONS 1 & 2

- (3-Phase Options Covered Below)
- (Omit) = None
- TS = Torque Switches
  - ED = Extended Duty
  - 20 = Internal Battery BU
  - T2 = Torque Switches Internal Battery BU
  - 30 = Internal Supercap BU
  - TE = Torque Switches Extended Duty

### 3-PHASE OPTIONS

- (3-Phase must include ONE of these options)
- TR1 = On/Off Only, Torque Switches use w/ existing Motor Control Center
  - TM3 = On/Off/Mod, Torque Switches stand alone, Full Motor Control Center
  - TM4 = On/Off/Mod, Torque Switches Motor Control Center w/ Local Control Station IP65 Round Knob/Key Type
  - TM5 = On/Off/Mod, Torque Switches Motor Control Center w/ Local Control Station IP67 Round Knob/Key Type
  - TM6 = On/Off/Mod, Torque Switches Motor Control Center w/ Local Control Station IP67 Rectangular LED Display
  - TM7 = On/Off/Mod, Torque Switches Motor Control Center w/ Local Control Station IP67 Rectangular LCD Display

### E - LOCAL CONTROL STATION OPTION

- (3-Phase Options Covered Below)
- (Omit) = None
- K = IP65 Round Knob/Key Type
  - B = IP67 Round Knob/Key Type
  - L = IP67 Rectangular LED Display
  - D = IP67 Rectangular LCD Display

\*Note: MES15 Aux Switches share a common lead. MEM15/MEV15 do not have aux switches.

## Temperature Range:

Seals	Temperature Range
Standard	-22°F (-30°C) to 158°F (70°C)



# ME Series Technical Brochure

Max-Air Technology Inc. | Rotary Actuators & Valve Automation Solutions

## Table of Contents

*Pg - Description*

[02 - Part Number Builder](#)

[03 - Table of Contents](#)

[04 - Features & Benefits](#)

[06 - Exploded View & Bill of Materials](#)

[07 - Technical Data](#)

[26 - Dimensions & Wiring Diagrams](#)



## STANDARD WARRANTY

*Max-Air Technology Inc. | The Best Way to Automate Your Process*

Max-Air Technology provides the following warranty regarding products manufactured by it. **THE WARRANTY STATED HEREIN IS EXPRESSLY IN LIEU OF ALL OTHER WARRANTIES AND REPRESENTATIONS, EXPRESSED OR IMPLIED, OR STATUTORY, INCLUDING, WITHOUT LIMITATION, THE IMPLIED WARRANTY OF FITNESS FOR A PARTICULAR PURPOSE.** Max-Air Technology warrants its products to be free from defects in materials and workmanship when these products are used for the purpose for which they were designed and manufactured. Max-Air Technology does not warrant its products against chemical or stress corrosion or against any other failure other than from defects in materials or workmanship. The warranty period is for twelve (12) months from installation date or eighteen (18) months from shipment date, whichever date comes first. Any claims regarding this warranty must be in writing and received by Max-Air Technology before the last effective date of the warranty period. Upon Max-Air Technology's receipt of a warranty claim, Max-Air Technology reserves the right to inspect the product(s) in question at either the field location or at the Max-Air Technology Manufacturing plant. If, after inspection of the product(s) in question, Max-Air Technology determines that the purchaser's claim is covered by this warranty, Max-Air Technology's sole liability and the purchaser's sole remedy under this warranty is limited to the refunding of the purchase price or repair or replacement thereof at Max-Air Technology option. Max-Air Technology will not be liable for any repairs, labor, material or other expenses that are not specifically authorized in writing by Max-Air Technology, and in no event shall Max-Air Technology be liable for any direct or consequential damages arising out of any defect from any cause whatsoever. If any Max-Air Technology product is modified or altered at any location other than Max-Air Technology – St. Louis (Missouri) UNITED STATES or Max-Air Technology – Agrate Brianza (MB) ITALY without the express written authorization of Max-Air Technology, said product is not covered by this warranty. The warranty for such products shall be subject only to the warranty relief, if any, provided by the suppliers and/or manufacturers of such products.

# Features & Benefits

Standard On/Off & Modulating, for Heavy Industrial Applications.

## Heavy Industrial On/Off & Modulating Electric Actuators

Our electric actuators are designed to provide years of service in light duty and demanding industrial environments such as chemical processing, waste and water treatment, power generation, oil & gas, marine, mining and building services.

Industrial grade actuator with heavy duty NEMA 4/4X/IP67 aluminum enclosure, standard auxiliary feedback switches, internal heater and 3D position indication. Handwheel override standard on most models, and optional torque limit switches available.



### Standard Features:

- NEMA 4/4X/IP67 Enclosure
- Raised Position Indicator
- ISO5211 Compliant Mounting
- Internal Low Power Heater
- Clutchless Manual Override
- Self-Locking Drive
- Permanently Lubricated
- Thermally Protected Motor
- 2 Auxiliary Switches
- Silicone Free



Locations	Ordinary, NEMA 4/4x
Torque Range	Up to 177,000 in-lbs
Materials	Aluminum Base/Poly Lid, Aluminum Lid
Ambient Temp. Range	-14°F to 140°F Standard (AE Series) -22°F to 158°F Standard (ME Series)
Rotation	90 Degrees

Power Supply	120 VAC, 24VAC/VDC, 12VDC, 220VAC, 3-Phase, & More
Signal Type	On/Off or Modulating (4-20mA, 2-10v)
Mounting	ISO 5211
Available Options	Handwheel, Torque Limit Switches, 3 Position Control

## AE Series & ME Series Compared

Start from the top of the chart and work down to select the correct Electric Actuator Series.

Service	Light Duty (Indoor or Covered)			Heavy Duty (Indoor/Outdoor)			
	Electrical Classification	Ordinary			Ordinary		
Temperature	Standard			Standard			
Recommended Series/Options	AE Series			ME Series			
Power Supply	AC	DC	AC/DC	AC	DC	AC/DC	3-Phase
Available Options	180° On/Off			Handwheel Torque Limit Switches 3-Position Control 180° On/Off (Sizes 22/23 Only) Battery Backup Local Control			



### ME Series

Industrial grade actuator with heavy duty NEMA 4/4X/IP67 aluminum enclosure, standard auxiliary feedback switches, internal heater and 3D position indication. Handwheel override standard on most models, and optional torque limit switches available.

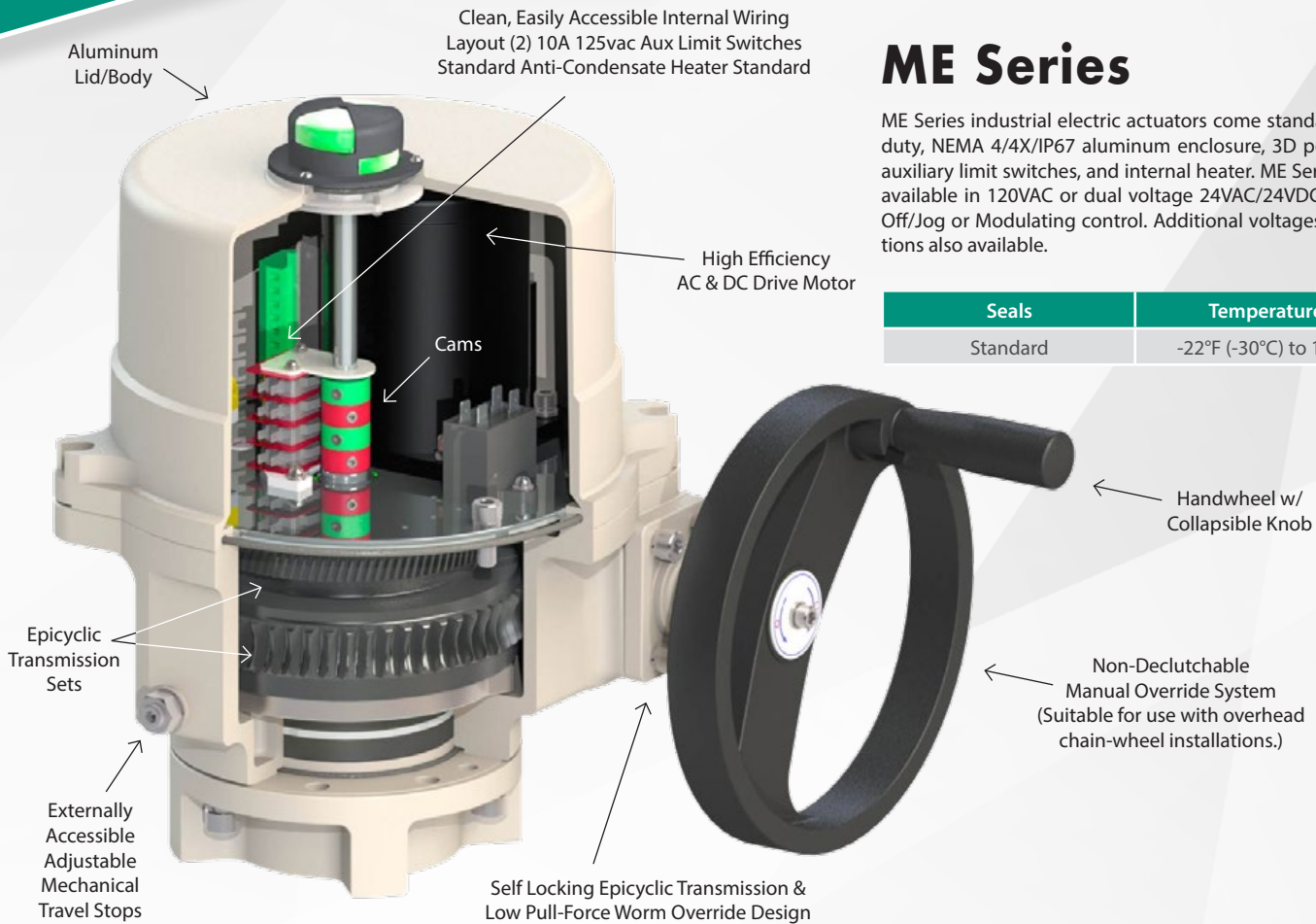


### AE Series

Compact, light duty actuator for shutoff or proportional control with standard auxiliary feedback switches, internal heater and LED position indication. Optional extended duty or fast acting models available.

# ME Series Technical Brochure

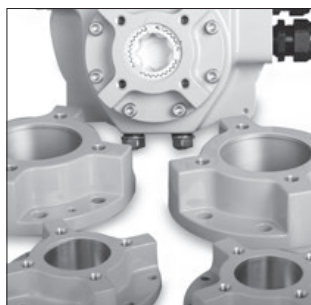
Max-Air Technology Inc. | Rotary Actuators & Valve Automation Solutions



## ME Series

ME Series industrial electric actuators come standard with a heavy duty, NEMA 4/4X/IP67 aluminum enclosure, 3D position indicator, auxiliary limit switches, and internal heater. ME Series actuators are available in 120VAC or dual voltage 24VAC/24VDC models for On/Off/Jog or Modulating control. Additional voltages and customizations also available.

Seals	Temperature Range
Standard	-22°F (-30°C) to 158°F (70°C)



### ISO Mounting flange

The bottom of the ME actuators are machined to meet ISO5211 standards. On the ME32H-ME33H up through the ME42H-ME47H, should a different flange pattern be needed, these models can be fitted with available flanges without any affect on actuator performance. Contact Max-Air for available ISO compliant flanges.



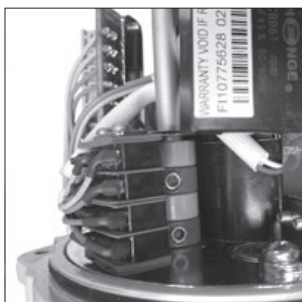
### Interchangeable Bushing

ME series actuators are supplied with ISO5211 compliant double-square drive sockets. On the ME32H-ME33H up through the ME42H-ME47H, the drive socket is removable and can be fitted with a different size or a different shape female drive socket. Available patterns include square, double square, double D and round keyed shafts. Contact Max-Air for available splined drive inserts.



### Epicyclic Drive Transmission

Highly efficient, compact transmission technology provides unmatched multiplication of motor torque compared to spur geartrain type systems. Additionally, the final drive output utilizes worm gear geometry to provide self-locking gearsets without any type of braking required to hold the connected device in position. This technology also allows a manual override system which does not require any type of declutching mechanism.



### Color Coded Cam System

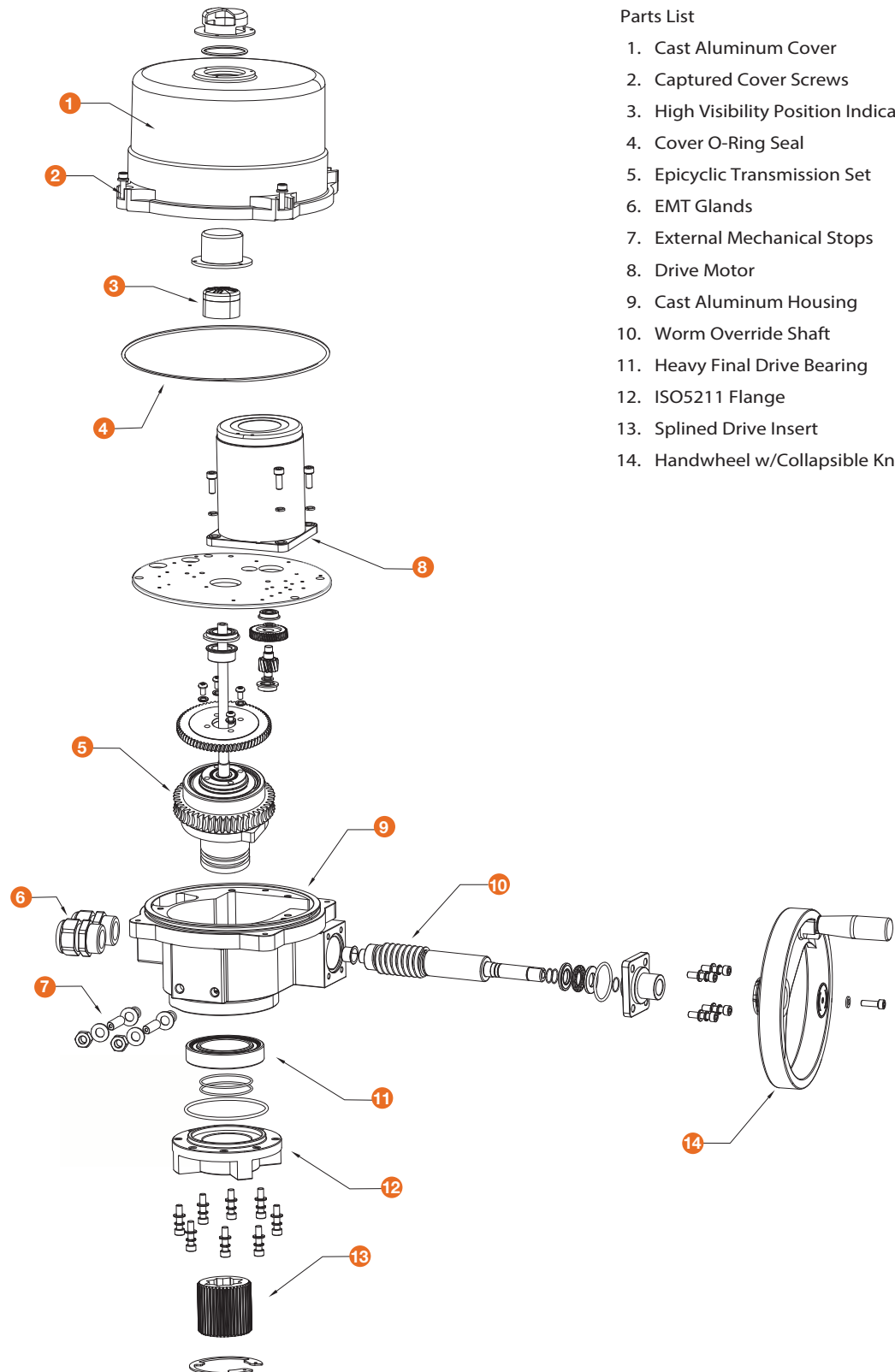
Easily accessible travel and auxiliary switch cams are color coded to provide instant recognition of the CW or CCW cams when making stroke adjustments. Cam positions are easily changed by utilizing 2.5mm setscrews across the entire ME range of actuators.

# Torque Data

Torques, Explanation of Sizing, Operation, & Spring Configuration

## ME Series Electric Actuators

EXPLODED VIEW (TYPICAL, 880 in-lb shown)



### Parts List

1. Cast Aluminum Cover
2. Captured Cover Screws
3. High Visibility Position Indicator
4. Cover O-Ring Seal
5. Epicyclic Transmission Set
6. EMT Glands
7. External Mechanical Stops
8. Drive Motor
9. Cast Aluminum Housing
10. Worm Override Shaft
11. Heavy Final Drive Bearing
12. ISO5211 Flange
13. Splined Drive Insert
14. Handwheel w/Collapsible Knob

# ME Series Technical Brochure

Max-Air Technology Inc. | Rotary Actuators & Valve Automation Solutions

## Voltages by Control Type

Type	12/24VDC	12/24VAC/VDC	12/24VAC	120/230VAC	3 PHASE
MES		X		X	X
MEC	X		X	X	X
MEO	X		X	X	X
MEM		X		X	X
MEV		X		X	X
MET	X		X	X	
MEE	X		X	X	

## Voltages by Size

Frame Size	Torque	12VAC/VDC	24VAC/VDC	120/230VAC	230/3, 380/3,	TS Optional	TS Standard
15	266 in-lbs		X	X			
22	310 in-lbs	X	X	X			
22H	310 in-lbs	X	X	X			
23	440 in-lbs	X	X	X			
23H	440 in-lbs	X	X	X			
32H	880 in-lbs	X	X	X	X	X	
33H	1,770 in-lbs	X	X	X	X	X	
42H	3,540 in-lbs	X	X	X	X	X	
43H	5,310 in-lbs	X	X	X	X	X	
44H	7,080 in-lbs	X	X	X	X	X	
45H	8,850 in-lbs		X	X	X	X	
46H	15,040 in-lbs			X	X	X	
47H	20,350 in-lbs			X	X	X	
52H	30,970 in-lbs			X	X		X
53H	44,250 in-lbs			X	X		X
62H	70,800 in-lbs			X	X		X
72H	115,000 in-lbs				X		X
73H	140,000 in-lbs				X		X
74H	177,000 in-lbs				X		X

# ME15 Technical Data

Exploded View, Materials of Construction, & Dimensional Data

## ME15 Series On/Off/Proportional



## Overview

The ME15 Series are quarter-turn electric industrial service actuators delivering up to 266 in-lb torque in voltages ranging from 24v up through 230v in on/off or proportional control modes. Other Key Features include:

- Equipped with two (2) volt-free Form A Auxiliary switches rated at up to 1A 250vac (on/off models only)
- Proportional models have 4-20mA or 2-10vdc feedback output standard
- ISO5211 compliant with an 11mm double square female drive
- Furnished with a 39" (1M) cable to facilitate field connections outside the compact enclosure
- Low profile visual position indicator and three flush mounted LEDs allow at-a-glance position indication
- Manual override lever and 5mm access shaft at the bottom of the actuator housing
- NEMA 4/4X & IP67 compliant
- PG6 EMT entry port with sealed cable gland

## SPECIFICATIONS

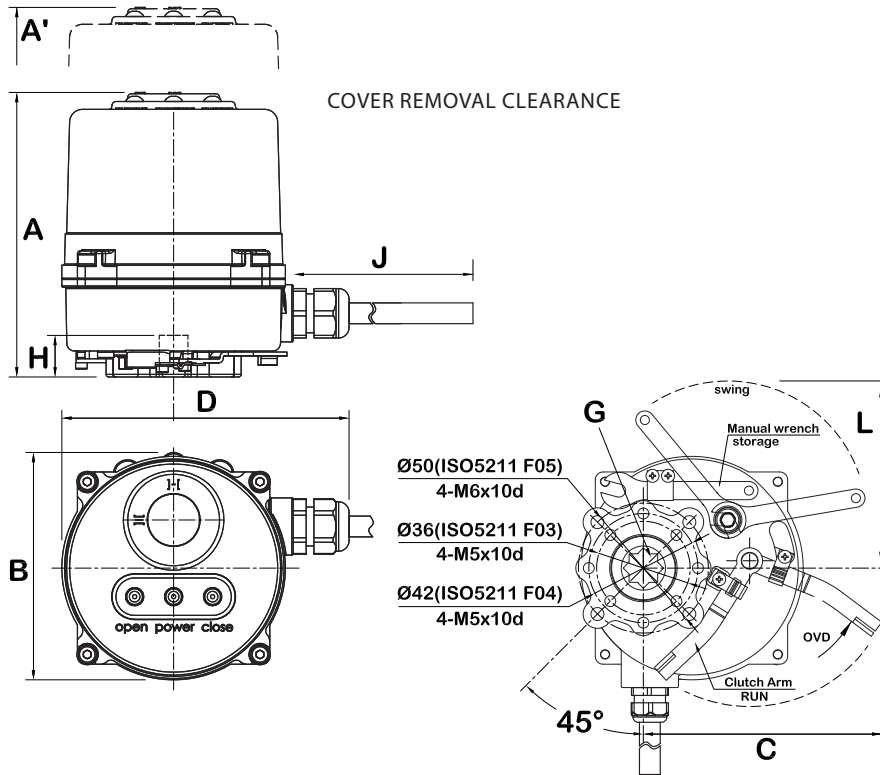
		ME15	
Supply	Torque Output (in-lb / Nm)	266 / 30	
24VAC - 24VDC	Current Draw (Start / Run / LRA)	1.3A / 0.7A / 2.0A	
	Speed (90°) DC-60Hz / 50Hz, seconds	11 / 11	
	Motor - 24V DC Perm Magnet 2 Pole Brush	10W	
	On/Off / Proportional	Duty Cycle (IEC60034)	75% (S2-15 min) / 75% (S4-75%)
		Motor Protection, Temp / Class	All - 130°C / Class B
Motor Starts, per hour, Max		All - 600	
120VAC	Current Draw (Start / Run / LRA)	1.3A / 0.7A / 2.0A	
	Speed (90°) 60Hz / 50Hz, seconds	11 / 11	
	Motor - 24V DC Perm Magnet 2 Pole Brush	10W	
	On/Off / Proportional	Duty Cycle (IEC60034)	25% (S2-15 min) / 75% (S4-75%)
		Motor Protection, Temp / Class	All - 130°C / Class B
Motor Starts, per hour, Max		All - 600	
230VAC	Current Draw (Start / Run / LRA)	1.3A / 0.7A / 2.0A	
	Speed (90°) 60Hz / 50Hz, seconds	11 / 11	
	Motor - 24V DC Perm Magnet 2 Pole Brush	10W	
	On/Off / Proportional	Duty Cycle (IEC60034)	25% (S2-15 min) / 75% (S4-75%)
		Motor Protection, Temp / Class	All - 130°C / Class B
Motor Starts, per hour, Max		All - 600	
All	Manual Override	Bottom 5mm Hex Shaft	
	Environmental Rating	NEMA 4/4X & IP67	
	Electrical Entry (1)	1M cable thru PG6 Polyamide gland	
	Control	On/Off / Proportional	
	Position Feedback - On/Off ONLY	(2) Form A Volt-Free, Rated 1A @ 250vac	
	Position Feedback - Proportional ONLY	4-20mA / 2-10vdc	
	Ambient Operating Range	-22°F to +158°F (-30°C to +70°C)	
	Humidity Range	0-95% RH	
	Altitude Limit	9850 ft / 3000 m	



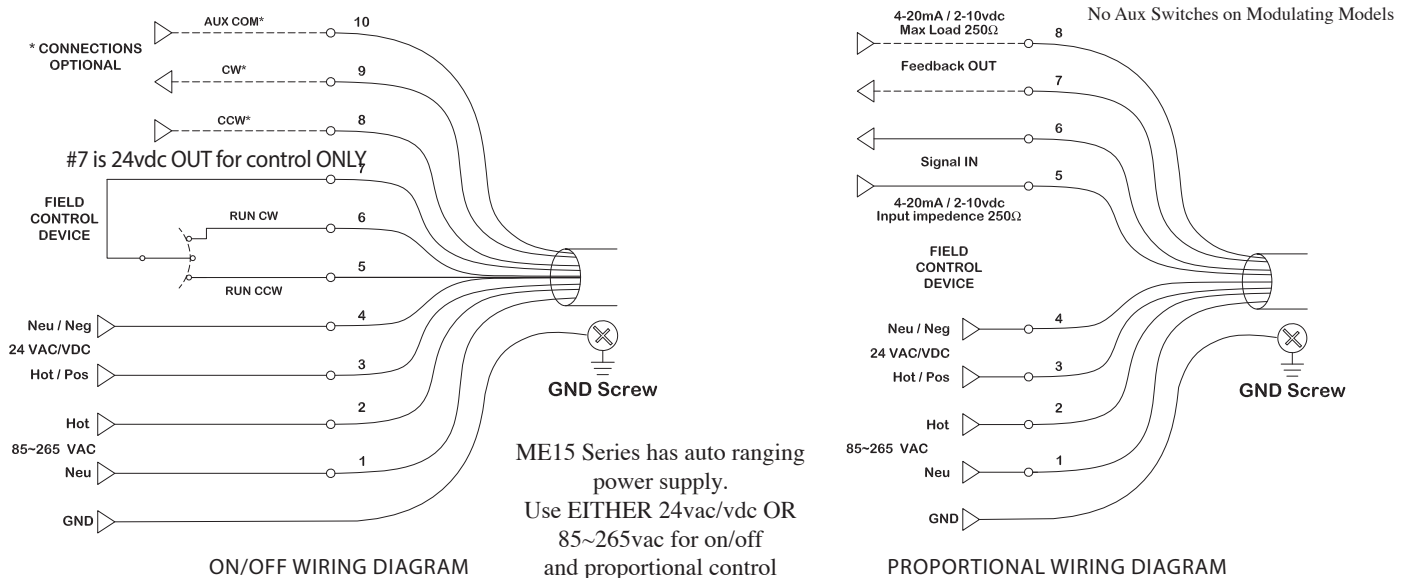
# ME Series Technical Brochure

Max-Air Technology Inc. | Rotary Actuators & Valve Automation Solutions

## ME15



MODEL	A in/mm	A' in/mm	B in/mm	C in/mm	D in/mm	G in/mm	H in/mm	J in/mm	L	WEIGHT lbs/kg	
ME15	4.33 / 110	2.95 / 75	3.44 / 87.5	4.49 / 114	4.35 / 111	.433 / 11	.63 / 16	39.4 / 1000	2.83 / 72	3.5 turns 90°	2.2 / 1.0



# ME22(H)-ME23(H) Technical Data

Exploded View, Materials of Construction, & Dimensional Data

## ME22(H)-ME23(H) Series On/Off/Proportional



## Overview

The ME22(H)-ME23(H) Series are quarter-turn electric industrial service actuators delivering up to 440 in-lb torque in voltages ranging from 12v up through 230v in on/off or proportional control modes. Other Key Features include:

- Units are equipped with two (2) volt-free Form A Auxiliary switches rated at up to 3A @ 250vac
- ISO5211 compliant with a double square female drive
- Raised visual position indicator
- Manual override hand wheel is available as an option on 2B & 2S models
- Manual override shaft standard
- NEMA 4/4X & IP67 compliant
- Two (2) 1/2" EMT entry ports with sealed cable glands

### Options

- Battery Backup
- Supercap Backup
- Local Control Stations
- IP68 Submersion

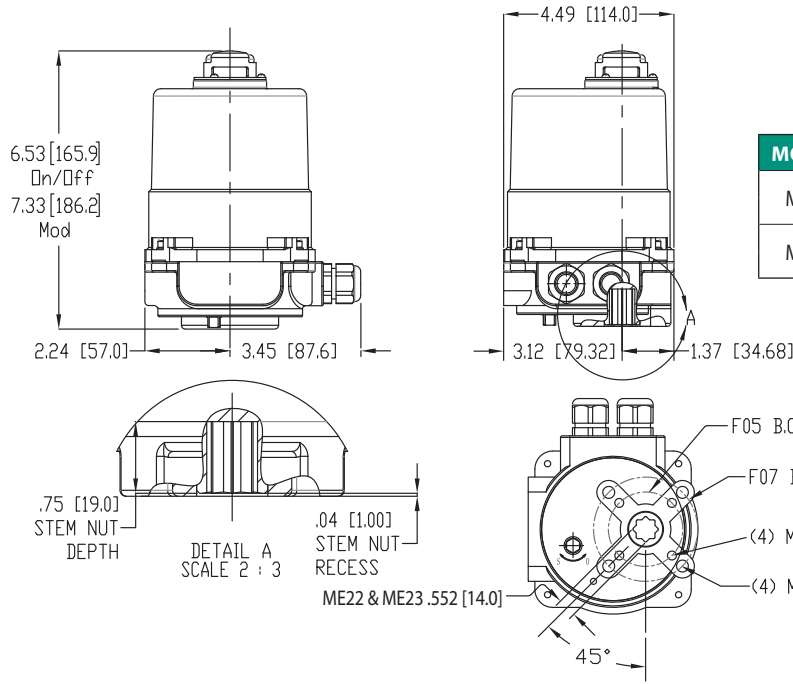
## SPECIFICATIONS

		ME22	ME22H	ME23	ME23H
Supply	Torque Output (in-lb / Nm)	310 / 35	310 / 35	440 / 50	440 / 50
12VAC* - 12VDC*	Current Draw (Start / Run / LRA)	3.5A / 2.0A / 3.8A	3.5A / 2.0A / 3.8A	3.5A / 2.0A / 3.8A	3.5A / 2.0A / 3.8A
	Speed (90°) DC-60Hz/50Hz, seconds	8 / 8	8 / 8	10 / 10	10 / 10
	Motor - 12V DC Perm Magnet 2 Pole Brush	6W	6W	6W	6W
	On/Off / Proportional	Duty Cycle (IEC60034)	75% (S2-15 min) / 75% (S4-75%)		
	Motor Protection, Temp	All - 130°C / Class B			
	Motor Starts, per hour,	All - 600			
24VAC - 24VDC	Current Draw (Start / Run / LRA)	2.1A / 1.2A / 2.3A	2.1A / 1.2A / 2.3A	2.1A / 1.2A / 2.3A	2.1A / 1.2A / 2.3A
	Speed (90°) DC-60Hz/50Hz, seconds	8 / 8	8 / 8	10 / 10	10 / 10
	Motor - 24V DC Perm Magnet 2 Pole Brush	6W	6W	6W	6W
	On/Off / Proportional	Duty Cycle (IEC60034)	75% (S2-15 min) / 75% (S4-75%)		
	Motor Protection, Temp	All - 130°C / Class B			
	Motor Starts, per hour,	All - 600			
120VAC	Current Draw (Start / Run / LRA)	0.4A / 0.4A / 0.5A	0.4A / 0.4A / 0.5A	0.4A / 0.4A / 0.5A	0.4A / 0.4A / 0.5A
	Speed (90°) 60Hz / 50Hz, seconds	9 / 11	9 / 11	13 / 15	13 / 15
	Motor - 120V Capacitor Run TENV	10W	10W	10W	10W
	On/Off - Std Duty / On/Off - Ext Duty & Proportional	Duty Cycle (IEC60034)	25% (S2-15 min) / 75% (S4-75%)		
	Motor Protection, Temp	155°C / Class F / 180°C / Class H			
	Motor Starts, per hour,	600 / 1200			
230VAC	Current Draw (Start / Run / LRA)	0.2A / 0.2A / 0.3A	0.2A / 0.2A / 0.3A	0.2A / 0.2A / 0.3A	0.2A / 0.2A / 0.3A
	Speed (90°) 60Hz / 50Hz, seconds	9 / 11	9 / 11	13 / 15	13 / 15
	Motor - 230V Capacitor Run TENV	10W	10W	10W	10W
	On/Off - Std Duty / On/Off - Ext Duty & Proportional	Duty Cycle (IEC60034)	25% (S2-15 min) / 75% (S4-75%)		
	Motor Protection, Temp	155°C / Class F / 180°C / Class H			
	Motor Starts, per hour,	600 / 1200			
All	Manual Override	Bottom 8mm Hex	Hand Wheel	Bottom 8mm Hex	Hand Wheel
	Environmental Rating	NEMA 4/4X & IP67			
	Electrical Entry (2)	1/2" EMT or Polyamide gland			
	Control	On/Off, Proportional, 2 Pos RO, RC & 3 Position			
	Auxiliary Switch - End of Travel	(2) Form A Volt-Free, Rated 3A @ 250vac			
	Ambient Operating Range	-22°F to +158°F (-30°C to +70°C)			
	Humidity Range	0-95% RH			
Altitude Limit	9850 ft / 3000 m				

\*12V versions available custom order.

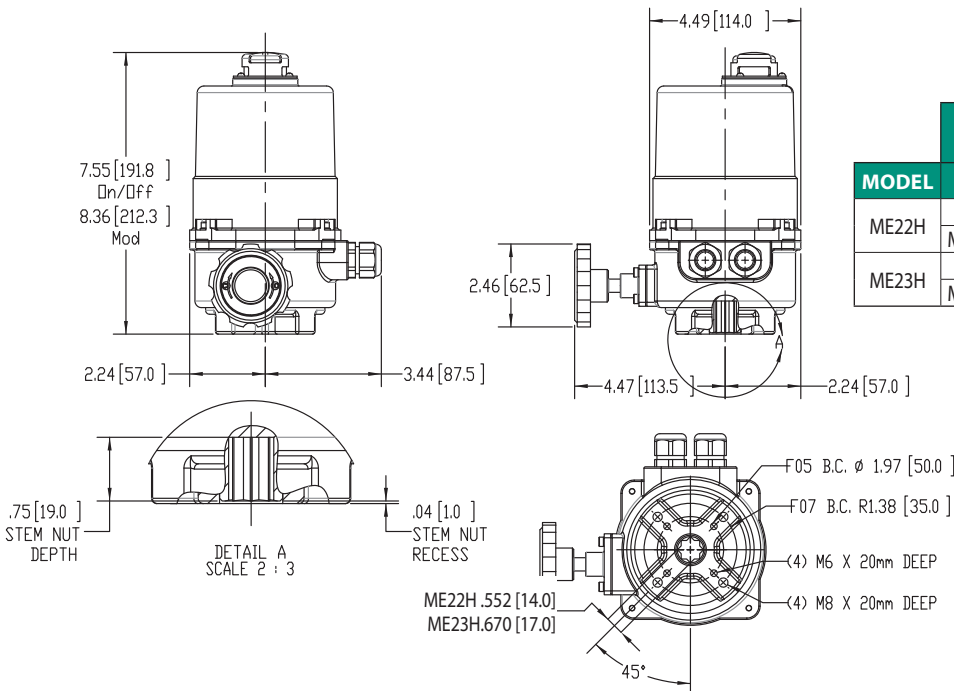
# ME Series Technical Brochure

Max-Air Technology Inc. | Rotary Actuators & Valve Automation Solutions



## ME22 - ME23

MODEL	Cover Removal Clearance		Override		Weight
	Type	in/mm	mm	# turns for 90°	lbs/kg
ME22	on/off - All	4.93 / 125	8mm hex	Approximately 7.5 turns 90°	6.6 / 3.0
	Mod - LV / HV				8.8 / 4.0
ME23	on/off - All	4.93 / 125	8mm hex	Approximately 7.5 turns 90°	6.6 / 3.0
	Mod - LV / HV				8.8 / 4.0



## ME22H - ME23H

MODEL	Cover Removal Clearance		Override		Weight
	Type	in/mm	in/mm	# turns for 90°	lbs/kg
ME22H	on/off - All	4.93 / 125	2.46 / 62.5	12 turns 90°	7.0 / 3.2
	Mod - LV / HV				9.2 / 4.2
ME23H	on/off - All	4.93 / 125	2.46 / 62.5	12 turns 90°	7.0 / 3.2
	Mod - LV / HV				9.2 / 4.2

# ME32H-ME33H Technical Data

Exploded View, Materials of Construction, & Dimensional Data

## ME32H-ME33H Series On/Off/Proportional



## Overview

The ME32H-ME33H Series are quarter-turn electric industrial service actuators delivering up to 1770 in-lb torque in voltages ranging from 12V up through 230V in on/off or proportional control modes. Other Key Features include:

- Units are equipped with two (2) volt-free Form A Auxiliary switches rated at up to 10A @ 250vac
- ISO5211 compliant mounting with double square female drive inserts
- Raised visual position indicator
- Clutch-free manual override handwheel standard
- NEMA 4/4X & IP67 compliant
- Two (2) 3/4" EMT entry ports with sealed cable glands

### Options

- Torque Switches
- Motor Control Centers
- Local Control Stations
- IP68 Submersion
- Battery Backup
- Interchangeable ISO5211 Flange & Drives

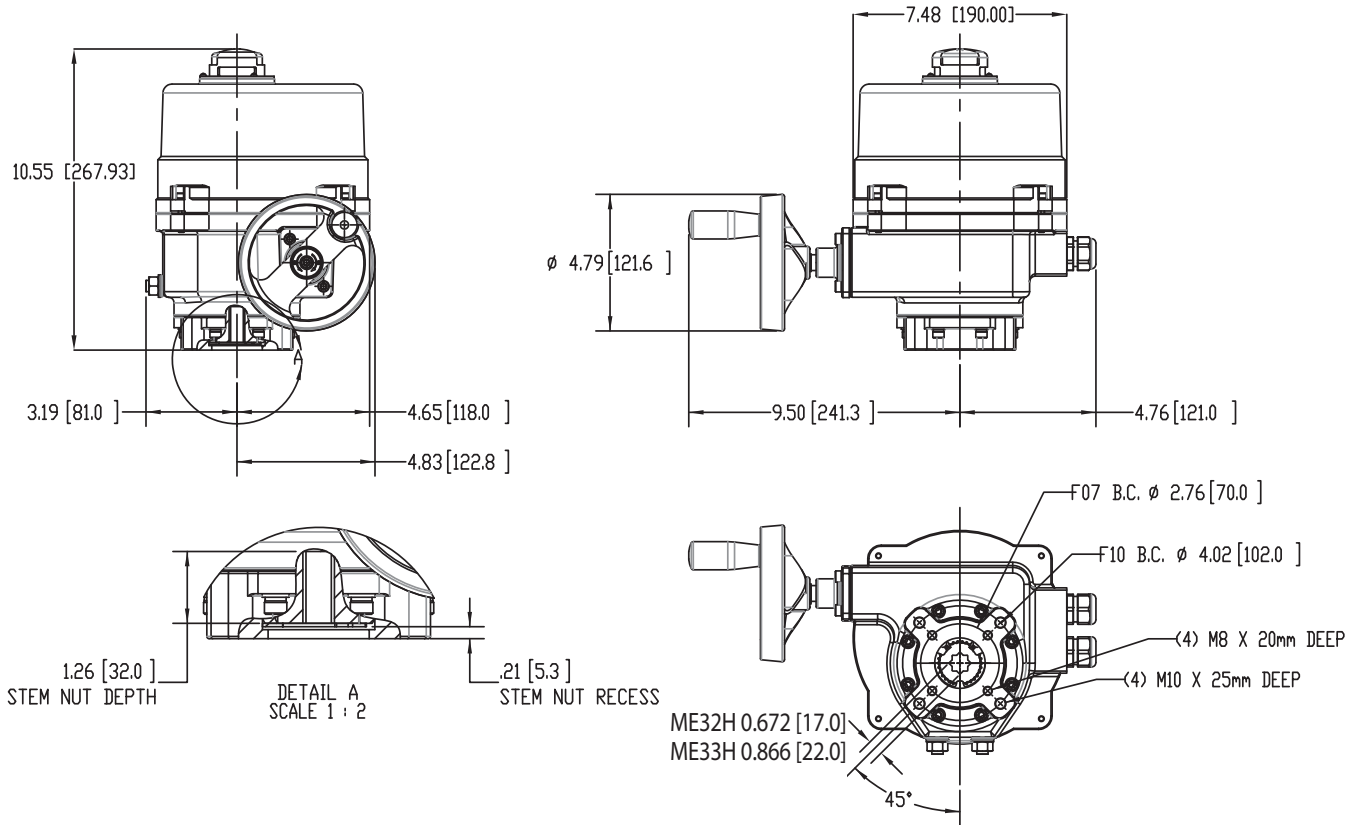
## SPECIFICATIONS

		ME32H	ME33H
Supply	Torque Output (in-lb / Nm)	880 / 100	1770 / 200
12VAC*	Current Draw (Start / Run / LRA)	7.2A / 5.2A / 17.8A	7.2A / 5.2A / 17.8A
	Speed (90°) DC-60Hz/50Hz, seconds	14 / 14	28 / 28
	Motor - 12V DC Perm Magnet 2 Pole Brush	25W	25W
12VDC*	On/Off / Proportional	Duty Cycle (IEC60034)	75% (S2-15 min) / 75% (S4-75%)
		Motor Protection, Temp	All - 130°C / Class B
		Motor Starts, per hour,	All - 600
24VAC	Current Draw (Start / Run / LRA)	4.2A / 3.2A / 11.0A	4.2A / 3.2A / 11.0A
	Speed (90°) DC-60Hz/50Hz, seconds	14 / 14	28 / 28
	Motor - 24V DC Perm Magnet 2 Pole Brush	25W	25W
24VDC	On/Off / Proportional	Duty Cycle (IEC60034)	75% (S2-15 min) / 75% (S4-75%)
		Motor Protection, Temp	All - 130°C / Class B
		Motor Starts, per hour,	All - 600
120VAC	Current Draw (Start / Run / LRA)	1.2A / 0.9A / 1.5A	1.2A / 0.9A / 1.5A
	Speed (90°) 60Hz / 50Hz, seconds	16 / 19	33 / 39
	Motor - 120V Capacitor Run TENV	40W	40W
On/Off - Std Duty / On/Off - Ext Duty & Proportional	Duty Cycle (IEC60034)	25% (S2-15 min) / 75% (S4-75%)	
	Motor Protection, Temp	155°C / Class F / 180°C / Class H	
	Motor Starts, per hour,	600 / 1200	
230VAC	Current Draw (Start / Run / LRA)	0.5A / 0.4A / 0.7A	0.5A / 0.4A / 0.7A
	Speed (90°) 60Hz / 50Hz, seconds	16 / 19	33 / 39
	Motor - 230V Capacitor Run TENV	40W	40W
On/Off - Std Duty / On/Off - Ext Duty & Proportional	Duty Cycle (IEC60034)	25% (S2-15 min) / 75% (S4-75%)	
	Motor Protection, Temp	155°C / Class F / 180°C / Class H	
	Motor Starts, per hour,	600 / 1200	
Environmental Rating		NEMA 4/4X & IP67	
All	Electrical Entry (2)	3/4" EMT or Polyamide gland	
	Control	On/Off, Proportional, 2 Pos RO, RC & 3 Position	
	Auxiliary Switch - End of Travel	(2) Form A Volt-Free, Rated 10A @ 250vac	
	Ambient Operating Range	-22°F to +158°F (-30°C to +70°C)	
	Humidity Range	0-95% RH	
	Altitude Limit	9850 ft / 3000 m	

# ME Series Technical Brochure

Max-Air Technology Inc. | Rotary Actuators & Valve Automation Solutions

## ME32H - ME33H



MODEL	Cover Removal Clearance	Handwheel		Weight
	in/mm	in/mm	# turns for 90°	lbs/kg
ME32H	8 / 200	4.79 / 122	12.5 turns 90°	28.6 / 13
ME33H	8 / 200	4.79 / 122	12.5 turns 90°	28.6 / 13

# ME32H-ME33H Technical Data

Exploded View, Materials of Construction, & Dimensional Data

## ME32H-ME33H Series 3 Phase On/Off - Basic



## Overview

The ME32H-ME33H Series are quarter-turn electric industrial service actuators delivering up to 1770 in-lb torque in voltages ranging from 220/3 up through 575/3 in basic (On/Off mode only). Other Key Features include:

- Units are equipped with two (2) volt-free Form A Auxiliary switches rated at up to 10A @ 250vac
- ISO5211 compliant mounting with double square female drive inserts
- Raised visual position indicator
- Clutch-free manual override handwheel standard
- NEMA 4/4X & IP67 compliant
- Two (2) 3/4" EMT entry ports with sealed cable glands

### Options

- Torque Switches
- IP68 Submersion
- Interchangeable ISO5211 Flange & Drives

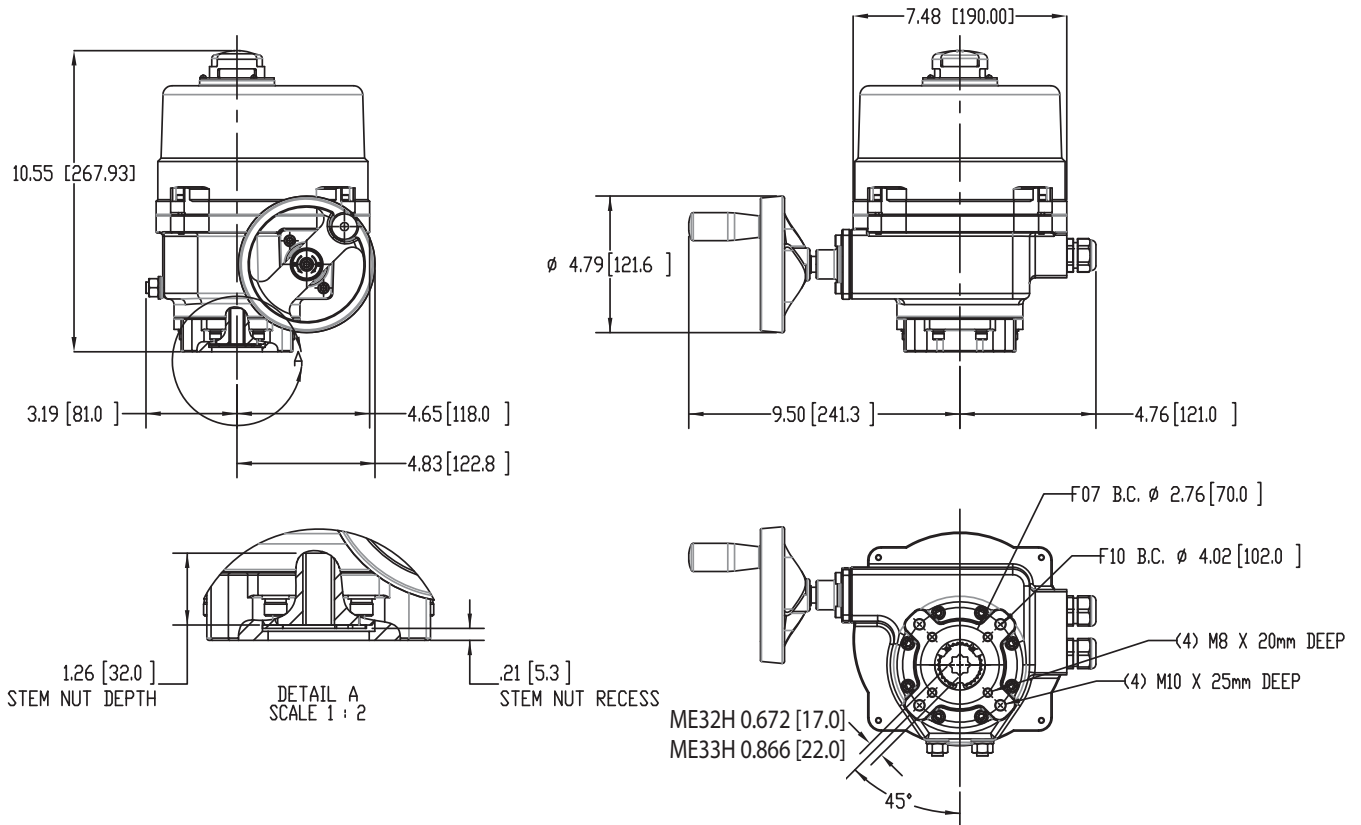
## SPECIFICATIONS

		ME32H	ME33H	
Supply	Torque Output (in-lb / Nm)	880 / 100	1770 / 200	
220/3ph	Current Draw (Start / Run / LRA)	0.7A / 0.6A / 1.0A	0.7A / 0.6A / 1.0A	
	Speed (90°) 60Hz / 50Hz, seconds	16 / 19	33 / 39	
	Motor - 220V polyphase TENV	40W	40W	
	On/Off - Basic	Duty Cycle (IEC60034)	25% (S2-15 min)	
		Motor Protection, Temp	155°C / Class F	
Motor Starts, per hour,		600		
380/3ph	Current Draw (Start / Run / LRA)	0.4A / 0.3A / 0.6A	0.4A / 0.3A / 0.6A	
	Speed (90°) 60Hz / 50Hz, seconds	16 / 19	33 / 39	
	Motor - 380V polyphase TENV	40W	40W	
	On/Off - Basic	Duty Cycle (IEC60034)	25% (S2-15 min)	
		Motor Protection, Temp	155°C / Class F	
Motor Starts, per hour,		600		
480/3ph	Current Draw (Start / Run / LRA)	0.2A / 0.2A / 0.4A	0.2A / 0.2A / 0.4A	
	Speed (90°) 60Hz / 50Hz, seconds	16 / 19	33 / 39	
	Motor - 480V polyphase TENV	40W	40W	
	On/Off - Basic	Duty Cycle (IEC60034)	25% (S2-15 min)	
		Motor Protection, Temp	155°C / Class F	
Motor Starts, per hour,		600		
575/3ph	Current Draw (Start / Run / LRA)	0.2A / 0.2A / 0.3A	0.2A / 0.2A / 0.3A	
	Speed (90°) 60Hz / 50Hz, seconds	16 / 19	33 / 39	
	Motor - 575V polyphase TENV	40W	40W	
	On/Off - Basic	Duty Cycle (IEC60034)	25% (S2-15 min)	
		Motor Protection, Temp	155°C / Class F	
Motor Starts, per hour,		600		
	Environmental Rating	NEMA 4/4X & IP67		
All	Electrical Entry (2)	3/4" EMT or Polyamide gland		
	Control	On/Off - Basic only		
	Auxiliary Switch - End of Travel	(2) Form A Volt-Free, Rated 10A @ 250vac		
	Ambient Operating Range	-22°F to +158°F (-30°C to +70°C)		
	Humidity Range	0-95% RH		
	Altitude Limit	9850 ft / 3000 m		

# ME Series Technical Brochure

Max-Air Technology Inc. | Rotary Actuators & Valve Automation Solutions

## ME32H - ME33H



MODEL	Cover Removal Clearance	Handwheel		Weight
	in/mm	in/mm	# turns for 90°	lbs/kg
ME32H	8 / 200	4.79 / 122	12.5 turns 90°	28.6 / 13
ME33H	8 / 200	4.79 / 122	12.5 turns 90°	28.6 / 13

# ME32H-ME33H Technical Data

Exploded View, Materials of Construction, & Dimensional Data

## ME32H-ME33H Series 3 Phase On/Off/Proportional - MCC



## Overview

The ME32H-ME33H Series are quarter-turn electric industrial service actuators delivering up to 1770 in-lb torque in voltages ranging from 220/3 up through 480/3 in on/off or proportional control modes. Other Key Features include:

- Units are equipped with two (2) volt-free Form A Auxiliary switches rated at up to 10A @ 250vac
- ISO5211 compliant mounting with double square female drive inserts
- Raised visual position indicator
- Clutch-free manual override handwheel standard
- NEMA 4/4X & IP67 compliant
- Two (2) 3/4" EMT entry ports with sealed cable glands

### Options

- Torque Switches
- Motor Control Centers
- Local Control Stations
- IP68 Submersion
- Interchangeable ISO5211 Flange & Drives

## SPECIFICATIONS

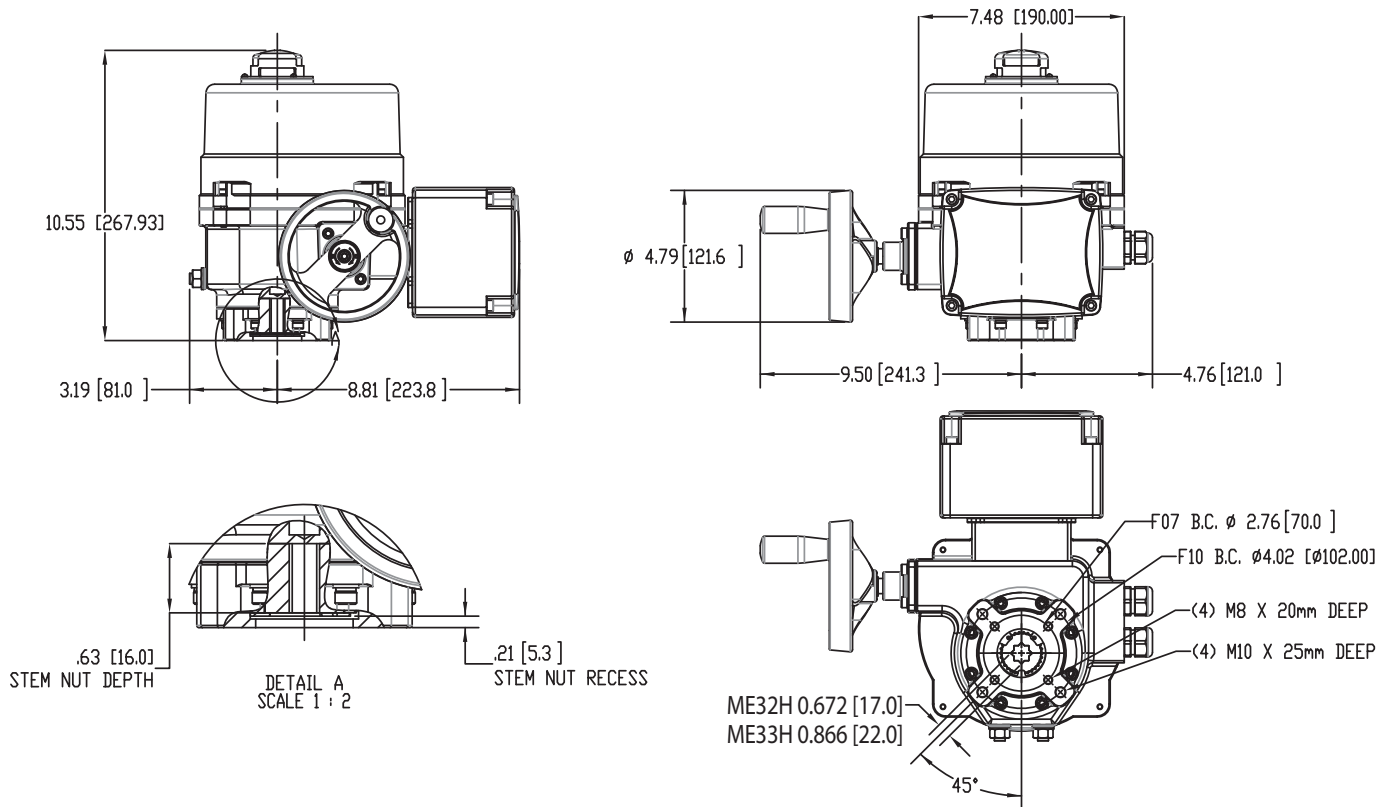
		ME32H	ME33H
Supply*	Torque Output (in-lb / Nm)	880 / 100	1770 / 200
220/3ph	Current Draw (Start / Run / LRA)	0.7A / 0.6A / 1.0A	0.7A / 0.6A / 1.0A
	Speed (90°) 60Hz / 50Hz, seconds	16 / 19	33 / 39
	Motor - 220V polyphase TENV	40W	40W
	On/Off / Proportional	Duty Cycle (IEC60034) 25% (S2-15 min) / 75% (S4-75%) Motor Protection, Temp 155°C / Class F Motor Starts, per hour, 600	
380/3ph	Current Draw (Start / Run / LRA)	0.4A / 0.3A / 0.6A	0.4A / 0.3A / 0.6A
	Speed (90°) 60Hz / 50Hz, seconds	16 / 19	33 / 39
	Motor - 380V polyphase TENV	40W	40W
	On/Off / Proportional	Duty Cycle (IEC60034) 25% (S2-15 min) / 75% (S4-75%) Motor Protection, Temp 155°C / Class F Motor Starts, per hour, 600	
480/3ph	Current Draw (Start / Run / LRA)	0.2A / 0.2A / 0.4A	0.2A / 0.2A / 0.4A
	Speed (90°) 60Hz / 50Hz, seconds	16 / 19	33 / 39
	Motor - 480V polyphase TENV	40W	40W
	On/Off / Proportional	Duty Cycle (IEC60034) 25% (S2-15 min) / 75% (S4-75%) Motor Protection, Temp 155°C / Class F Motor Starts, per hour, 600	
Environmental Rating		NEMA 4/4X & IP67	
Electrical Entry (2)		3/4" EMT or Polyamide gland	
All	Control	On/Off, Proportional, in six levels of control and protection (some limited applica-	
	Auxiliary Switch - End of Travel	(2) Form A Volt-Free, Rated 10A @ 250vac	
	Ambient Operating Range	-22°F to +158°F (-30°C to +70°C)	
	Humidity Range	0-95% RH	
	Altitude Limit	9850 ft / 3000 m	



# ME Series Technical Brochure

Max-Air Technology Inc. | Rotary Actuators & Valve Automation Solutions

## ME32H - ME33H



MODEL	Cover Removal Clearance	Handwheel		Weight
	in/mm	in/mm	# turns for 90°	lbs/kg
ME32H	8 / 200	4.79 / 122	12.5 turns 90°	34.1 / 15.5
ME33H	8 / 200	4.79 / 122	12.5 turns 90°	34.1 / 15.5

# ME42H-ME47H Technical Data

Exploded View, Materials of Construction, & Dimensional Data

## ME42H-ME47H Series On/Off/Proportional



## Overview

The ME42H~ME47H Series are quarter-turn electric industrial service actuators delivering up to 20,350 in-lb torque in voltages ranging from 12V up through 230V in on/off or proportional control modes. Other Key Features include:

- Units are equipped with two (2) volt-free Form A Auxiliary switches rated at up to 10A @ 250vac
- ISO5211 compliant mounting with double square female drive inserts
- Raised visual position indicator
- Clutch-free manual override handwheel standard
- NEMA 4/4X & IP67 compliant
- Two (2) 3/4" EMT entry ports with sealed cable glands
- Torque Switches standard ME46H and ME47H

### Options

- Torque Switches (ME42H-ME47H)
- Motor Control Centers
- Local Control Stations
- IP68 Submersion
- Battery Backup
- Interchangeable ISO5211 Flange & Drives

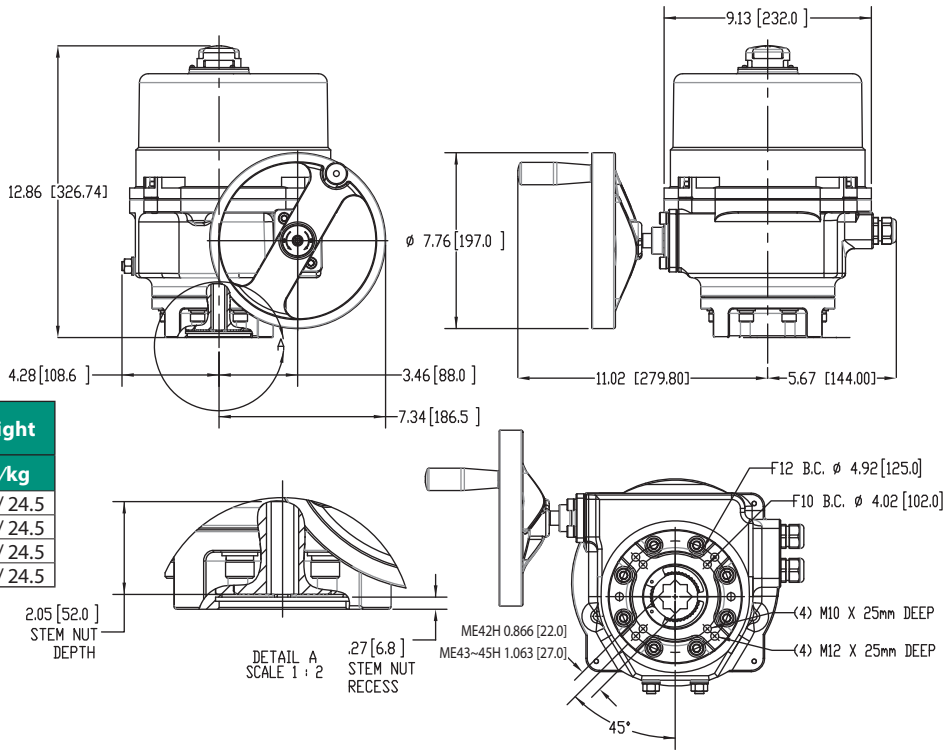
## SPECIFICATIONS

		ME42H	ME43H	ME44H	ME45H	ME46H	ME47H
Supply	Torque Output (in-lb / Nm)	3540 / 400	5310 / 600	7080 / 800	8850 / 1000	15,040 / 1700	20,350 / 2300
12VAC*	Current Draw (Start / Run / LRA)	11.4A / 9.4A /	11.4A / 9.4A /	11.4A / 9.4A /	-	-	-
	Speed (90°) DC-60Hz/50Hz, seconds	21 / 21	28 / 28	34 / 34	-	-	-
	Motor - 12V DC Perm Magnet 2 Pole Brush	40W	40W	40W	-	-	-
12VDC*	On/Off / Proportional	Duty Cycle (IEC60034)	75% (S2-15 min) / 75% (S4-75%)			-	-
		Motor Protection, Temp / Class	All - 130°C / Class B			-	-
		Motor Starts, per hour, Max	All - 600			-	-
24VAC	Current Draw (Start / Run / LRA)	7.0A / 5.8A / 15A	7.0A / 5.8A / 15A	7.0A / 5.8A / 15A	10.5A / 7.8A /	10.5A / 7.8A /	-
	Speed (90°) DC-60Hz/50Hz, seconds	21 / 21	28 / 28	34 / 34	34 / 34	25 / 25	-
	Motor - 24V DC Perm Magnet 2 Pole Brush	40W	40W	40W	90W	90W	-
24VDC	On/Off / Proportional	Duty Cycle (IEC60034)	75% (S2-15 min) / 75% (S4-75%)			50% / 50%	-
		Motor Protection, Temp / Class	All - 130°C / Class B			-	-
		Motor Starts, per hour, Max	All - 600			-	-
120VAC	Current Draw (Start / Run / LRA)	3.0A / 1.8A / 3.5A	3.0A / 1.8A / 3.5A	3.0A / 1.8A / 3.5A	3.8A / 2.3A / 4.8A	7.2A / 4.5A / 9.4A	7.2A / 4.5A / 9.4A
	Speed (90°) 60Hz / 50Hz, seconds	24 / 29	33 / 39	39 / 47	39 / 47	28 / 34	39 / 47
	Motor - 120V Capacitor Run TENV	90W	90W	90W	120W	200W	200W
	On/Off - Std Duty / On/Off - Ext Duty &	Duty Cycle (IEC60034)	25% (S2-15 min) / 75% (S4-75%)			25% (S2-15 min) / 50% (S4-50%)	
		Motor Protection, Temp / Class	155°C / Class F / 180°C / Class H			155°C / Class F / 180°C / Class H	
	Motor Starts, per hour, Max	600 / 1200			600 / 1200		
230VAC	Current Draw (Start / Run / LRA)	1.7A / 0.9A / 1.9A	1.7A / 0.9A / 1.9A	1.7A / 0.9A / 1.9A	2.2A / 1.1A / 2.4A	4.1A / 2.2A / 4.5A	4.1A / 2.2A / 4.5A
	Speed (90°) 60Hz / 50Hz, seconds	24 / 29	33 / 39	39 / 47	39 / 47	28 / 34	39 / 47
	Motor - 230V Capacitor Run TENV	90W	90W	90W	120W	200W	200W
	On/Off - Std Duty / On/Off - Ext Duty &	Duty Cycle (IEC60034)	25% (S2-15 min) / 75% (S4-75%)			25% (S2-15 min) / 50% (S4-50%)	
		Motor Protection, Temp / Class	155°C / Class F / 180°C / Class H			155°C / Class F / 180°C / Class H	
	Motor Starts, per hour, Max	600 / 1200			600 / 1200		
	Environmental Rating	NEMA 4/4X & IP67					
	Electrical Entry (2)	3/4" EMT or Polyamide gland					
All	Control	On/Off, Proportional, 2 Pos RO, RC & 3 Position					
	Auxiliary Switch - End of Travel	(2) Form A Volt-Free, Rated 10A @ 250vac					
	Ambient Operating Range	-22°F to +158°F (-30°C to +70°C)					
	Humidity Range	0-95% RH					
	Altitude Limit	9850 ft / 3000 m					

# ME Series Technical Brochure

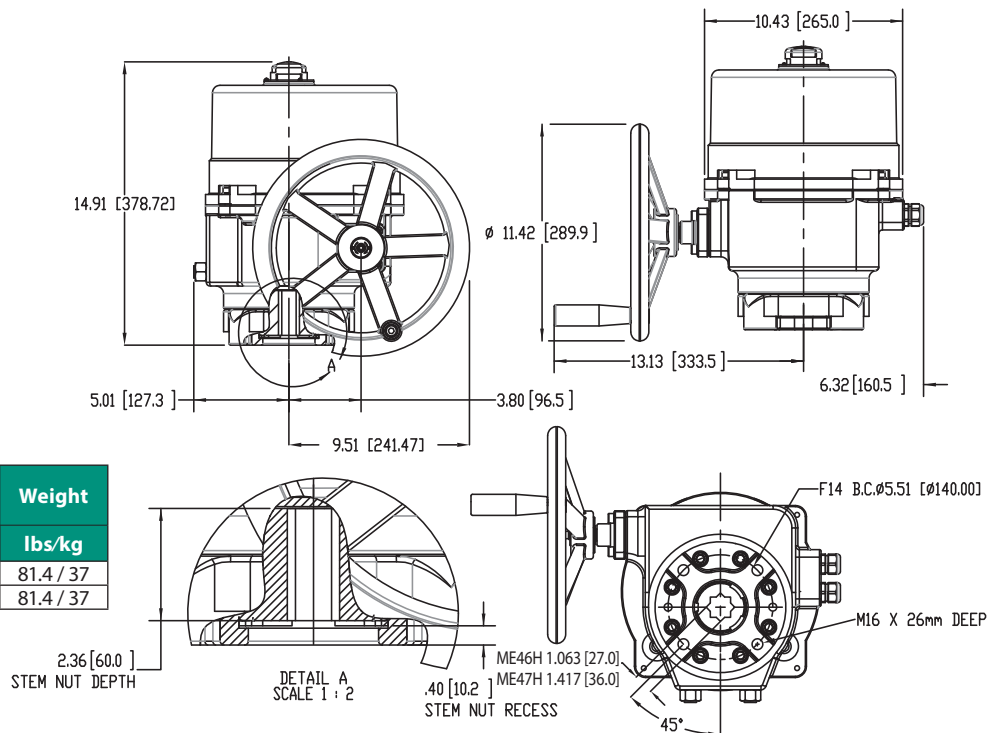
Max-Air Technology Inc. | Rotary Actuators & Valve Automation Solutions

## ME42H - ME45H



MODEL	Cover Removal	Handwheel		Weight
	in/mm	in/mm	# turns for 90°	lbs/kg
ME42H	8 / 200	7.76 / 197	14.5 turns 90°	53.9 / 24.5
ME43H	8 / 200	7.76 / 197	14.5 turns 90°	53.9 / 24.5
ME44H	8 / 200	7.76 / 197	14.5 turns 90°	53.9 / 24.5
ME45H	8 / 200	7.76 / 197	14.5 turns 90°	53.9 / 24.5

## ME46H - ME47H



MODEL	Cover Removal	Handwheel		Weight
	in/mm	in/mm	# turns for 90°	lbs/kg
ME46H	9.84 / 250	11.42 / 290	16 turns 90°	81.4 / 37
ME47H	9.84 / 250	11.42 / 290	16 turns 90°	81.4 / 37

# ME42H-ME47H Technical Data

Exploded View, Materials of Construction, & Dimensional Data

## ME42H-ME47H Series MCC On/Off/Proportional - Basic



## Overview

The ME42H~ME47H Series are quarter-turn electric industrial service actuators delivering up to 20,350 in-lb torque in voltages ranging from 220/3 up through 480/3 in on/off or proportional control modes and 575/3 (basic only). Other Key Features include:

- Units are equipped with two (2) volt-free Form A Auxiliary switches rated at up to 10A @ 250vac
- ISO5211 compliant mounting with double square female drive inserts
- Raised visual position indicator
- Clutch-free manual override handwheel standard
- NEMA 4/4X & IP67 compliant
- Two (2) 3/4" EMT entry ports with sealed cable glands
- Torque Switches standard ME46H and ME47H

### Options

- Torque Switches (ME42H~4D)
- Motor Control Centers
- Local Control Stations
- IP68 Submersion
- Interchangeable ISO5211 Flange & Drives

## SPECIFICATIONS

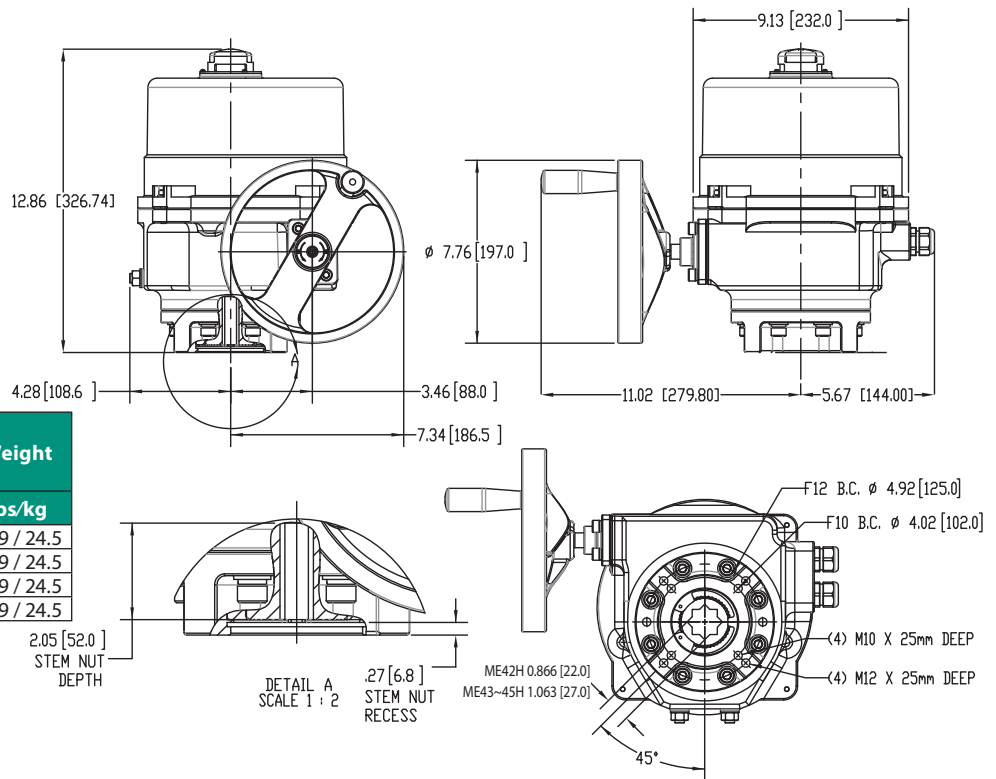
		ME42H	ME43H	ME44H	ME45H	ME46H	ME47H	
Supply*	Torque Output (in-lb / Nm)	3540 / 400	5310 / 600	7080 / 800	8850 / 1000	15,040 / 1700	20,350 / 2300	
220/3ph	Current Draw (Start / Run / LRA)	1.8A / 1.1A / 2.4A	1.8A / 1.1A / 2.4A	1.8A / 1.1A / 2.4A	2.8A / 1.1A / 2.1A	3.6A / 1.9A / 4.5A	3.6A / 1.9A / 4.5A	
	220V polyphase TENV	90W	90W	90W	120W	200W	200W	
380/3ph	Current Draw (Start / Run / LRA)	1.1A / 0.6A / 1.4A	1.1A / 0.6A / 1.4A	1.1A / 0.6A / 1.4A	1.6A / 0.8A / 1.9A	2.1A / 1.1A / 2.6A	2.1A / 1.1A / 2.6A	
	Motor - 380V polyphase TENV	90W	90W	90W	120W	200W	200W	
480/3ph	Current Draw (Start / Run / LRA)	0.7A / 0.4A / 1.0A	0.7A / 0.4A / 1.0A	0.7A / 0.4A / 1.0A	0.9A / 0.5A / 1.1A	1.2A / 0.9A / 2.1A	1.2A / 0.9A / 2.1A	
	Motor - 480V polyphase TENV	90W	90W	90W	120W	200W	200W	
575/3ph	575/3 On/Off - Basic Only**							
	Current Draw (Start / Run / LRA)	0.4A / 0.3A / 0.8A	0.4A / 0.3A / 0.8A	0.4A / 0.3A / 0.8A	0.8A / 0.4A / 0.9A	1.0A / 0.7A / 1.9A	1.0A / 0.7A / 1.9A	
	Motor - 575V polyphase TENV	90W	90W	90W	120W	200W	200W	
All (as noted)	On/Off / Proportional	Duty Cycle (IEC60034)	25% (S2-15 min) / 75% (S4-75%)				25% (S2-15 min) / 50% (S4-50%)	
		Motor Protection, Temp /	155°C / Class F					
		Motor Starts, per hour, Max	600					
	Speed (90°) 60Hz/50Hz, seconds	24 / 29	33 / 39	39 / 47	39 / 47	28 / 34	39 / 47	
	Environmental Rating	NEMA 4/4X & IP67						
	Electrical Entry (2)	3/4" EMT or Polyamide Gland						
	Control (220/3 ~ 480/3)	On/Off, Proportional, in six levels of control and protection (some limited applications)						
	Control (575/3)	On/Off - Basic (follow On/Off - Std Duty performance data)						
	Auxiliary Switch - End of Travel	(2) Form A Volt-Free, Rated 10A @ 250vac						
	Ambient Operating Range	-22°F to +158°F (-30°C to +70°C)						
Humidity Range	0-95% RH							
Altitude Limit	9850 ft / 3000 m							

# ME Series Technical Brochure

Max-Air Technology Inc. | Rotary Actuators & Valve Automation Solutions

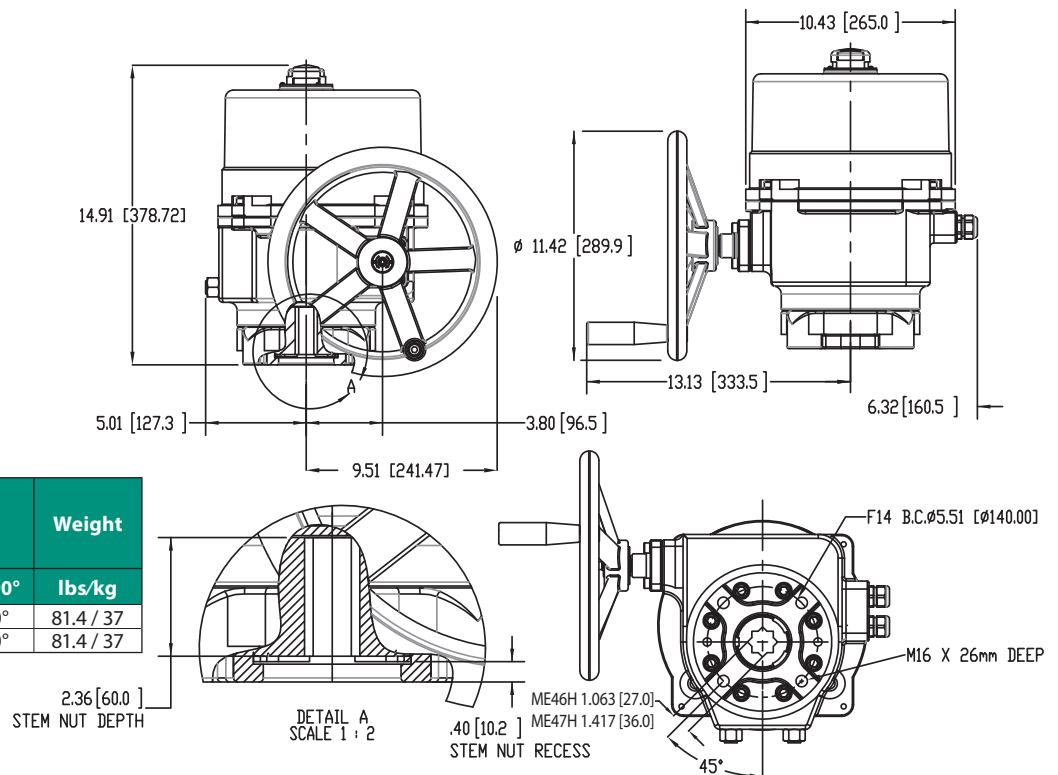
## ME42H - ME45H

	Cover Removal Clearance	Handwheel		Weight
MODEL	in/mm	in/mm	# turns for 90°	lbs/kg
ME42H	8 / 200	7.76 / 197	14.5 turns 90°	53.9 / 24.5
ME43H	8 / 200	7.76 / 197	14.5 turns 90°	53.9 / 24.5
ME44H	8 / 200	7.76 / 197	14.5 turns 90°	53.9 / 24.5
ME45H	8 / 200	7.76 / 197	14.5 turns 90°	53.9 / 24.5



## ME46H - ME47H

	Cover Removal Clearance	Handwheel		Weight
MODEL	in/mm	in/mm	# turns for 90°	lbs/kg
ME46H	9.84 / 250	11.42 / 290	16 turns 90°	81.4 / 37
ME47H	9.84 / 250	11.42 / 290	16 turns 90°	81.4 / 37



# ME52H-ME53H Technical Data

Exploded View, Materials of Construction, & Dimensional Data

## ME52H-ME53H Series On/Off/Proportional - Basic



## Overview

The ME5 Series are quarter-turn electric industrial service actuators delivering up to 44,250 in-lb torque in voltages ranging from 120VAC up through 480/3 in on/off or proportional control modes and 575/3 in on/off only. Other Key Features include:

- Units are equipped with two (2) volt-free Form A Auxiliary switches rated at up to 10A @ 250vac
- ISO5211 compliant mounting with a double square female drive
- Flat visual position indicator
- Clutch-free manual override handwheel standard
- NEMA 4/4X & IP67 compliant
- Two (2) 3/4" EMT entry ports with sealed cable glands
- Torque Switches standard

### Options

- Motor Control Centers
- Local Control Stations
- IP68 Submersion

## SPECIFICATIONS

		ME52H	ME53H
Supply*	Torque Output (in-lb / Nm)	30,970 / 3500	44,250 / 5000
120VAC	Current Draw (Start / Run / LRA)	7.2A / 4.5A / 9.4A	7.2A / 4.5A / 9.4A
	Motor - 120V Capacitor Run TENV	200W	200W
230VAC	Current Draw (Start / Run / LRA)	4.1A / 2.2A / 4.5A	4.1A / 2.2A / 4.5A
	Motor - 230V Capacitor Run TENV	200W	200W
220/3ph	Current Draw (Start / Run / LRA)	3.6A / 1.9A / 4.5A	3.6A / 1.9A / 4.5A
	Motor - 220V polyphase TENV	200W	200W
380/3ph	Current Draw (Start / Run / LRA)	2.1A / 1.1A / 2.6A	2.1A / 1.1A / 2.6A
	Motor - 380V polyphase TENV	200W	200W
480/3ph	Current Draw (Start / Run / LRA)	1.2A / 0.9A / 2.1A	1.2A / 0.9A / 2.1A
	Motor - 480V polyphase TENV	200W	200W
575/3ph	575/3 On/Off - Basic Only**	1.0A / 0.7A / 1.9A	1.0A / 0.7A / 1.9A
	Current Draw (Start / Run / LRA)		
	Motor - 575V polyphase TENV		
All (as noted)	On/Off / Proportional	Duty Cycle (IEC60034)	25% (S2-15 min) / 50% (S4-50%)
		Motor Protection, Temp / Class	155°C / Class F / 180°C / Class H (Single Phase Only)
		Motor Starts, per hour, Max	600 / 1200
	Speed (90°) 60Hz/50Hz, seconds	63 / 76	88 / 105
	Environmental Rating	NEMA 4/4X & IP67	
	Electrical Entry (2)	3/4" EMT or Polyamide Gland	
	Control (120/230VAC)	On/Off, Proportional, 2 Pos RO, RC & 3 Position	
	Control (220/3 ~ 480/3)	On/Off, Proportional, in six levels of control and protection (some	
	Control (575/3)	On/Off - Basic (follow On/Off - Std Duty performance data)	
	Auxiliary Switch - End of Travel	(2) Form A Volt-Free, Rated 10A @ 250vac	
	Ambient Operating Range	-22°F to +158°F (-30°C to +70°C)	
	Humidity Range	0-95% RH	
	Altitude Limit	9850 ft / 3000 m	

\*ME52H-ME53H not available below 120vac supply.

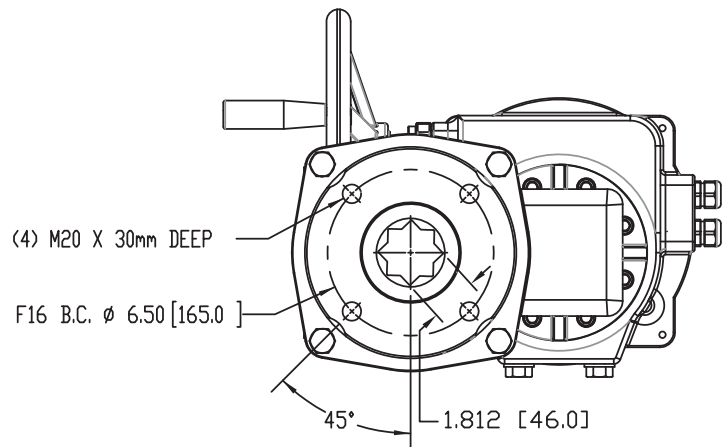
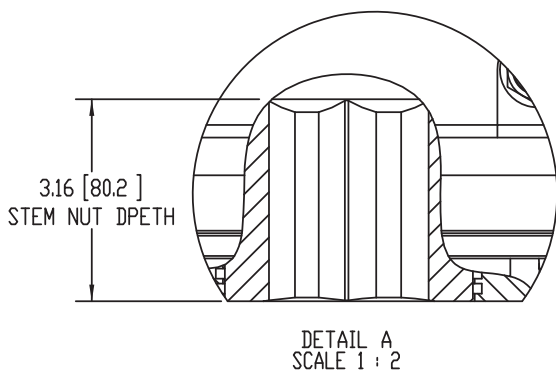
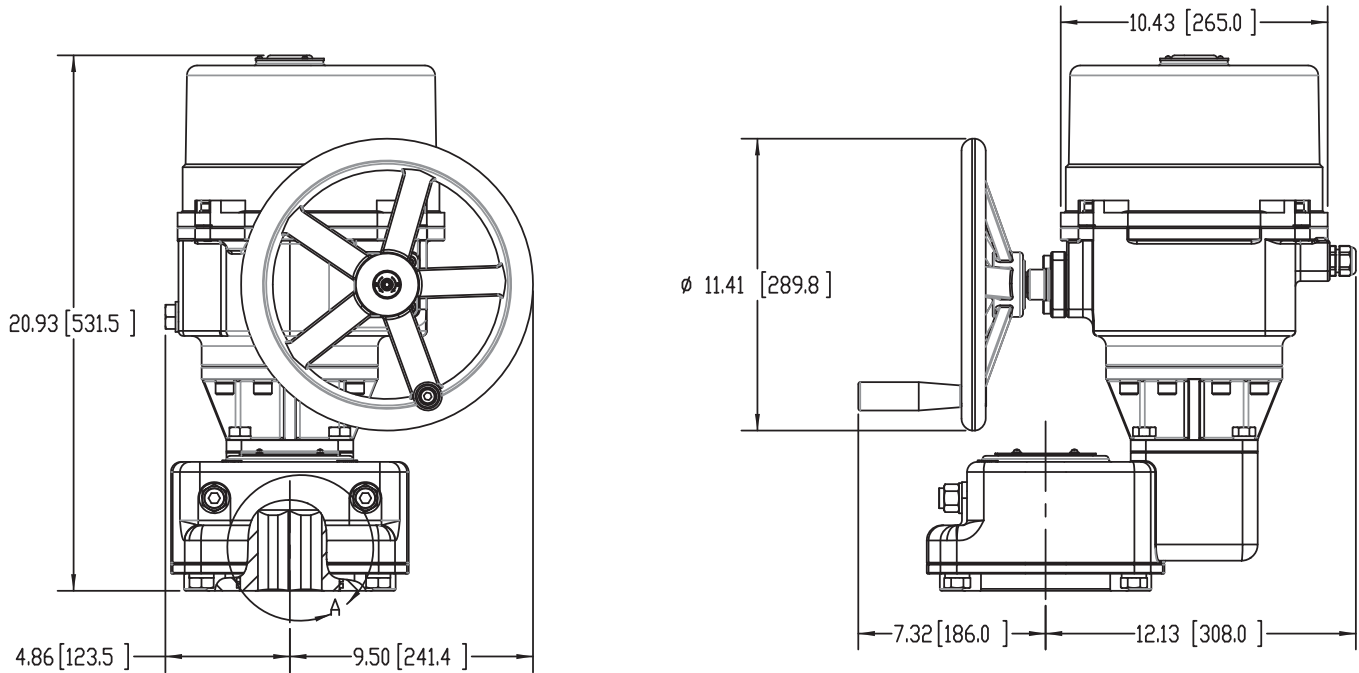
\*\*Extended Duty are not available for any 3 Phase actuators.

\*\*\*Proportional Control motors are not available for 575/3.

# ME Series Technical Brochure

Max-Air Technology Inc. | Rotary Actuators & Valve Automation Solutions

## ME52H - ME53H



MODEL	Cover Removal Clearance	Handwheel		Weight
	in/mm	in/mm	# turns for 90°	lbs/kg
ME52H	9.84 / 250	11.41 / 290	35.6 turns 90°	174 / 79
ME53H	9.84 / 250	11.41 / 290	35.6 turns 90°	174 / 79

# ME62H Technical Data

Exploded View, Materials of Construction, & Dimensional Data

## ME62H Series On/Off/Proportional - Basic



## Overview

The ME62H Series are quarter-turn electric industrial service actuators delivering up to 70,800 in-lb torque in voltages ranging from 120VAC up through 480/3 in on/off or proportional control modes and 575/3 in on/off only. Other Key Features include:

- Units are equipped with two (2) volt-free Form A Auxiliary switches rated at up to 10A @ 250vac
- ISO5211 compliant mounting with a double square female drive
- Flat visual position indicator
- Clutch-free manual override handwheel standard
- NEMA 4/4X & IP67 compliant
- Two (2) 3/4" EMT entry ports with sealed cable glands
- Torque Switches standard

### Options

- Motor Control Centers
- Local Control Stations
- IP68 Submersion

## SPECIFICATIONS

		ME62H	
Supply*	Torque Output (in-lb / Nm)	70,800 / 8000	
120VAC	Current Draw (Start / Run / LRA)	7.2A / 4.5A / 9.4A	
	Motor - 120V Capacitor Run TENV	200W	
230VAC	Current Draw (Start / Run / LRA)	4.1A / 2.2A / 4.5A	
	Motor - 230V Capacitor Run TENV	200W	
220/3ph	Current Draw (Start / Run / LRA)	3.6A / 1.9A / 4.5A	
	Motor - 220V polyphase TENV	200W	
380/3ph	Current Draw (Start / Run / LRA)	2.1A / 1.1A / 2.6A	
	Motor - 380V polyphase TENV	200W	
480/3ph	Current Draw (Start / Run / LRA)	1.2A / 0.9A / 2.1A	
	Motor - 480V polyphase TENV	200W	
575/3ph	575/3 On/Off - Basic Only**	1.0A / 0.7A / 1.9A	
	Current Draw (Start / Run / LRA)		
	Motor - 575V polyphase TENV	200W	
All (as noted)	On/Off / Proportional	Duty Cycle (IEC60034)	25% (S2-15 min) / 50% (S4-50%)
		Motor Protection, Temp / Class	155°C / Class F / 180°C / Class H (Single Phase Only)
		Motor Starts, per hour, Max	600 / 1200
		Speed (90°) 60Hz/50Hz, seconds	119 / 143
		Environmental Rating	NEMA 4/4X & IP67
		Electrical Entry (2)	3/4" EMT or Polyamide Gland
		Control (120/230VAC)	On/Off, Proportional, 2 Pos RO, RC & 3 Position
		Control (220/3 ~ 480/3)	On/Off, Proportional, in six levels of control and protection (some limited)
		Control (575/3)	On/Off - Basic (follow On/Off - Std Duty performance data)
		Auxiliary Switch - End of Travel	(2) Form A Volt-Free, Rated 10A @ 250vac
		Ambient Operating Range	-22°F to +158°F (-30°C to +70°C)
		Humidity Range	0-95% RH
		Altitude Limit	9850 ft / 3000 m

\*ME62H not available below 120vac supply.

\*\*Extended Duty are not available for any 3 Phase actuators.

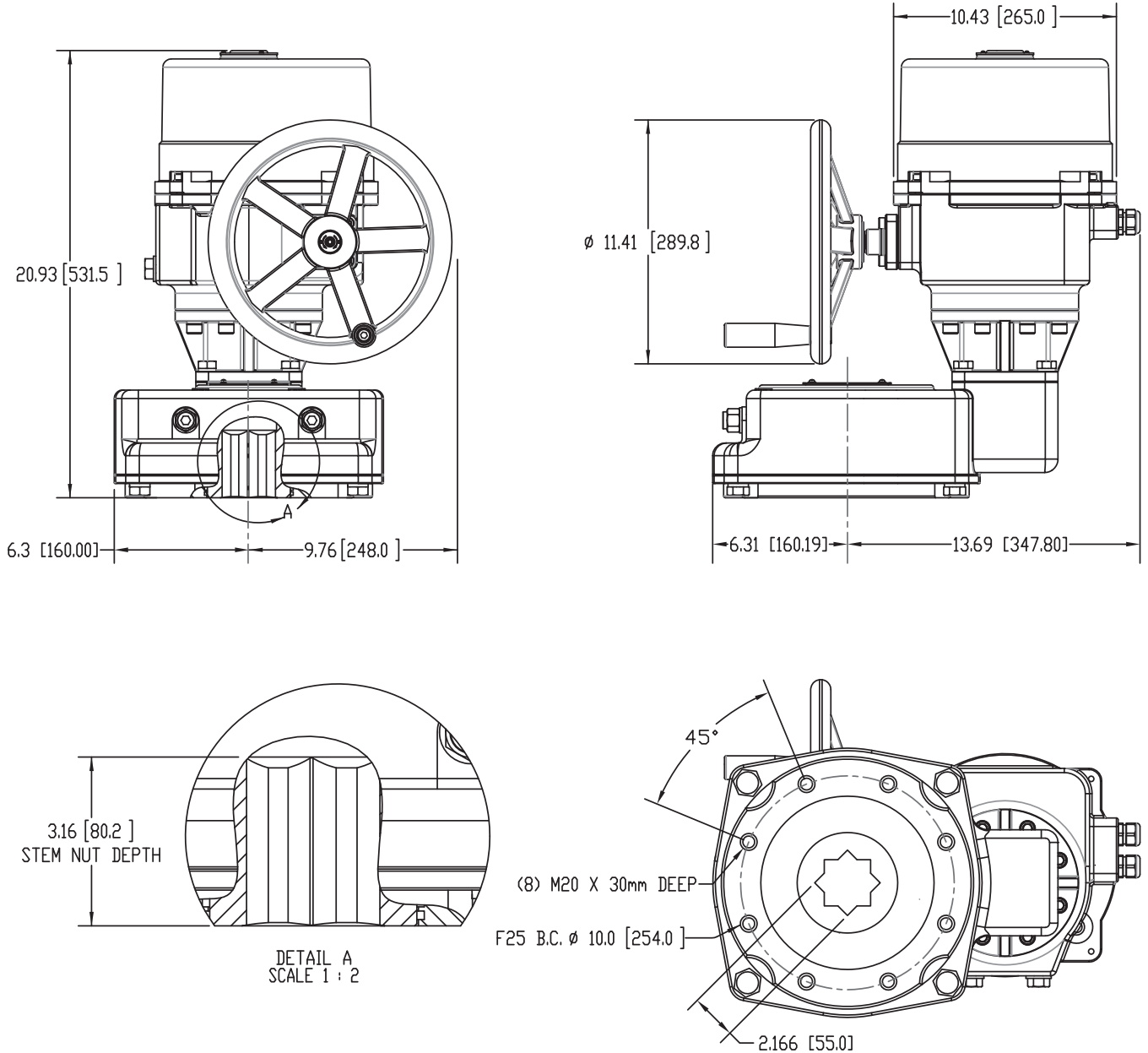
\*\*Proportional Control motors are not available for 575/3.



# ME Series Technical Brochure

Max-Air Technology Inc. | Rotary Actuators & Valve Automation Solutions

## ME62H



MODEL	Cover Removal	Handwheel		Weight
	in/mm	in/mm	# turns for 90°	lbs/kg
ME62H	9.84 / 250	11.41 / 290	48 turns 90°	242 / 110

# Wiring Diagram

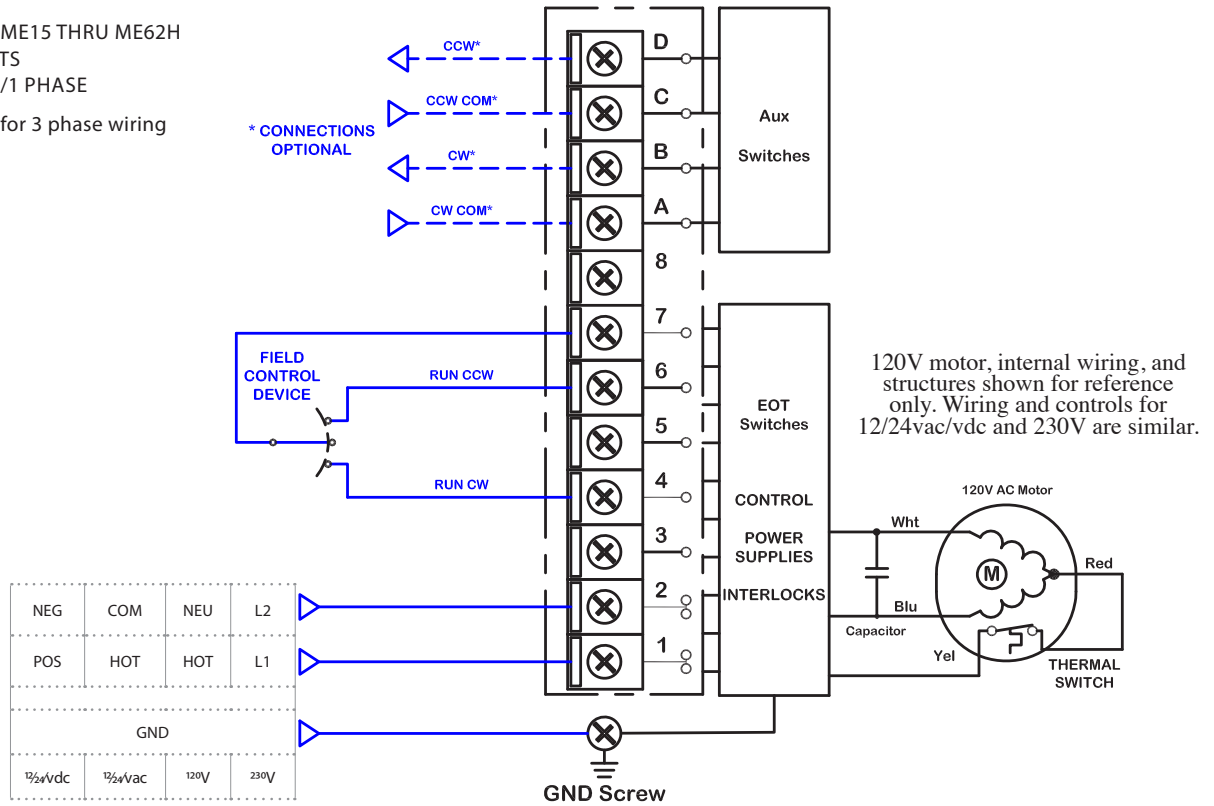
On/Off Control & 4-20mA Control

## ME Series Wiring Diagrams

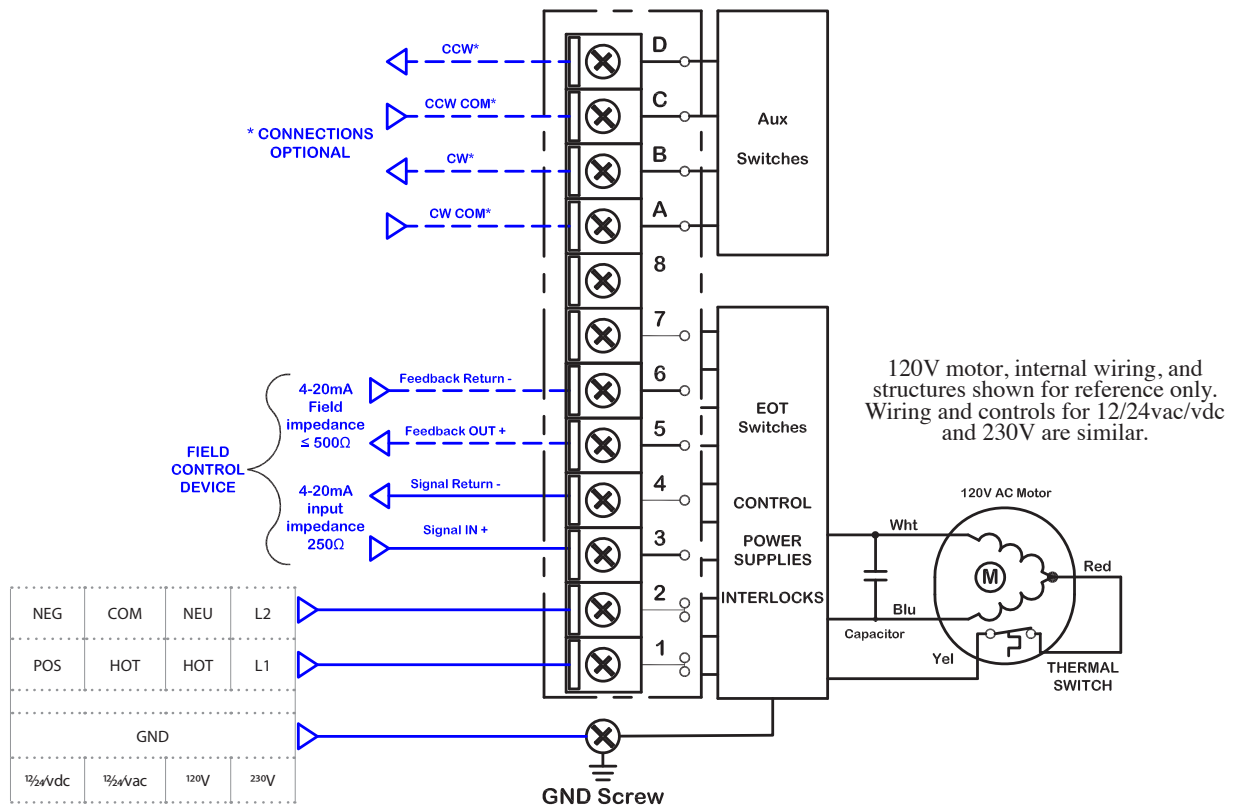
APPLIES TO ALL ME15 THRU ME62H SERIES PRODUCTS  
12VAC/DC ~ 230/1 PHASE

Contact Max-Air for 3 phase wiring diagrams

On/Off CONTROL



4-20mA CONTROL



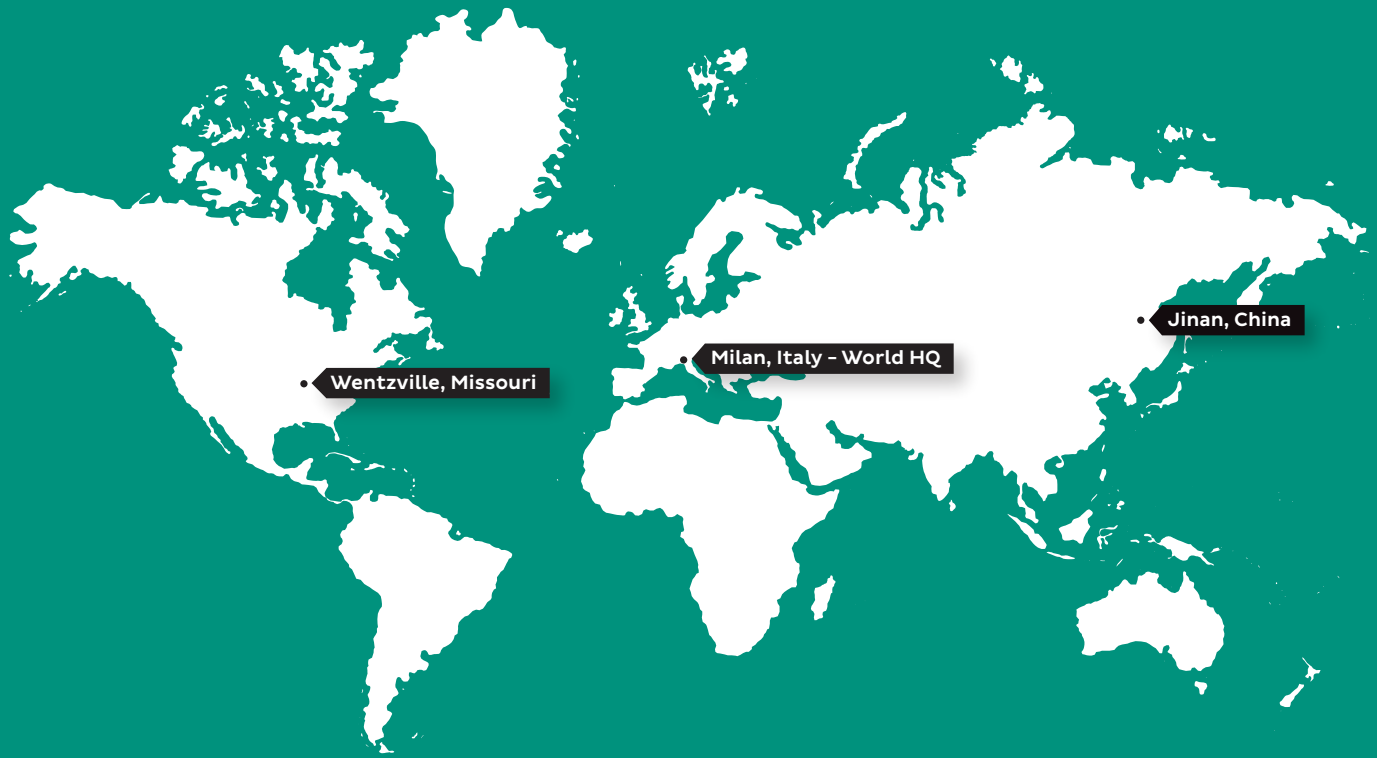
# ME Series Technical Brochure

Max-Air Technology Inc. | Rotary Actuators & Valve Automation Solutions

**This page left intentionally blank.**

# MAX-AIR TECHNOLOGY

*The Best Way To Automate Your Process*



Your nearest Max-Air dealer can be found at:

Distributed by | Distribuido por :



**ANYTHING**  
**≈ FLOWS ≈**

[INFO@ANYTHINGFLOWS.COM](mailto:INFO@ANYTHINGFLOWS.COM)

[WWW.ANYTHINGFLOWS.COM](http://WWW.ANYTHINGFLOWS.COM)

**Flow Control , our passion ®**

**Life Flows on ™**



**SCAN ME**