

Valvetop® DXP

Flameproof - Explosion Proof - Intrinsically Safe



The Valvetop DXP discrete valve controller combines bus networking, pilot valve and position sensors into a single, globally certified, explosion proof enclosure that attaches to any automated valve package.

Features:

- Zone 0 Intrinsically Safe
- Zone 1 Flameproof/Explosion Proof
- Tropicalized Aluminum Enclosure

Options:

- GO® Switch Leverless Limit Switches
- FOUNDATION Fieldbus
- AS-Interface
- DeviceNet
- 4-20mA Position Transmitter
- HART Protocol
- Proximity Switches
- Mechanical Switches



DeviceNet

HART COMMUNICATIONS PROTOCOL

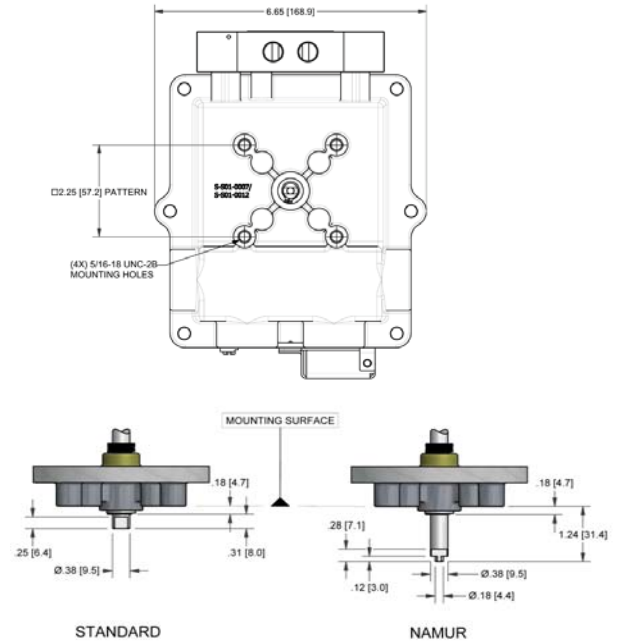
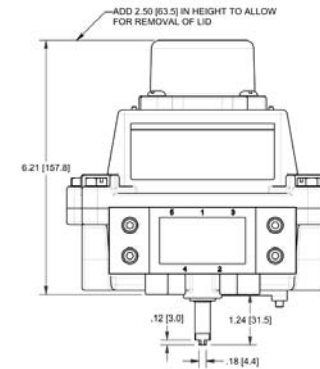
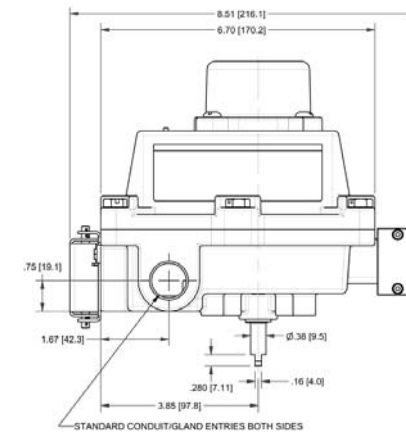


FAST TRACK DELIVERY

- | | |
|--|--|
| DXP-L21G_EB
(2) GO Switches
Explosion Proof | DXP-AS1G_EB
AS-Interface
Explosion Proof |
| DXP-L21G_EB1A2
(2) GO Switches
Explosion Proof
24VDC 5/4 Aluminum
pilot valve | DXP-0X1G_EB
4-20 mA Transmitter
Explosion Proof |
| DXP-FF□G_EBPA2
FOUNDATION Fieldbus
Exp. Proof or Intr. Safe
5/4 Aluminum pilot valve | DXP-Z21G_EB
(2) SPDT GO Switches
Explosion Proof |
| DXP-AS1G_EB1A2
AS-Interface
Explosion Proof
5/4 Aluminum pilot valve | DXP-0H1G_EB
HART Communications
Explosion Proof |
| | DXP-M21G_EB
(2) Mechanical Switches
Explosion Proof |

□ For Area Class, choose 0 (I.S.) or 1 (Exp. Proof)
_ For Shaft, choose S or N

Dimensions



Enclosure	Bus/Sensor	Area Classification	Visual Display	Shaft	Conduit Entries	O-Rings	Pilot	Spool Valve	Valve Cv	Manual Override	Regional Certs
<p>DXP</p> <p>Enclosure: Die-cast, aluminum; Powder-coated O-Ring sealed</p> <p>Coating: Tropicalized inside and out</p> <p>Cover bolts: 6 stainless steel captive cover bolts</p> <p>Terminal Strip: Standard 12 pt. molded nylon</p> <p>Temperature Rating: Determined by internal components - Consult Factory</p> <p>Environment: Built to last in the most demanding applications</p>	<p>Bus Network</p> <p>AS AS-Interface (Area class cannot be 0)</p> <p>FF FOUNDATION Fieldbus (Pilot P, R, or U only)</p> <p>DN DeviceNet (Area class cannot be 0)</p> <p>Partial Stroke Test</p> <p>ES ESD/PST Module w/GO Switch (Area class cannot be 0 or 2)</p> <p>GO Switches (hermetic seal)</p> <p>L2 (2)GO Switches SPDT</p> <p>L4 (4)GO Switches SPDT</p> <p>Z2 (2)GO Switches DPDT</p> <p>Z4 (4)GO Switches DPDT</p> <p>Mechanical Switches (Area class cannot be 2)</p> <p>M2 (2)Mech SPDT</p> <p>M4 (4)Mech SPDT</p> <p>M6 (6)Mech SPDT</p> <p>T2 (2)Mech DPDT</p> <p>K2 (2)Mech SPDT gold contacts</p> <p>K4 (4)Mech SPDT gold contacts</p> <p>Proximity Switches</p> <p>PN (2) SPDT Module w/o LED's 1A max</p> <p>PS (2) SPDT Module w/LED's 250mA max</p> <p>Inductive NAMUR Sensors</p> <p>E2 (2) p+f NJ2+V3-N</p> <p>E4 (4) p+f NJ2+V3-N</p> <p>Analog Output (Available with 2-switch options only for L,Z,M,K,E,T)</p> <p>X 4-20mA transmitter</p> <p>H 4-20mA transmitter w/HART (Must not be switch option T)</p> <p>Examples: LX = (2)GO Switches w/transmitter 0X = no switches 4-20mA transmitter LH = (2)GO Switches w/HART</p>	<p>0 Intrinsically safe (Bus/sensor cannot be AS, DN, ES, or X; Requires appropriate I.S. barrier) - North America Class I Div 1&2 Groups A, B, C, D; Type 4, 4X -ATEX/IECEX Zone 0; II1G, II2D, II2GD Ex ia IIC; Ex tb IIIC, Db IP67</p> <p>1 Explosion proof / Flame proof - North America Class I Div 1&2 Groups C, D; Class I Div 2, Groups A, B, C, D. (Groups A & B must be hermetically sealed) Type 4, 4X, 7 -ATEX/IECEX (O-Rings must be S or E for DUST certification) Zone 1; II2G, II2GD Ex d IIB+H2; Ex tb IIIC Db, IP67</p> <p>2 Non-incendive (Bus/sensor must be L, Z, P, AS, FF or DN; O-Rings must be S or E for DUST certification) ATEX II3G Ex nC tD, IP67</p> <p>C Flameproof (Conduit entries must be E or M) ATEX/IECEX II2G, II2GD; Ex d IIC Ex tb IIIC Db, IP67</p> <p>W No approvals IP67</p>	<p>Visual Display: Impact resistant polycarbonate; O-ring sealed; 360° adjustable</p> <p>G Standard 90° Green OPEN, Red CLOSED</p> <p>B 90° Black OPEN, Yellow CLOSED</p> <p>Y 90° Yellow OPEN, Black CLOSED</p> <p>1 3 way, 90° L Port</p> <p>3 3 way, 90° T Port</p> <p>5 3 way, 90° T Port</p> <p>7 3 way, 180° T Port 3 position</p> <p>9 3 way, 180° T Port 3 Position</p>	<p>S 1/2" DD 304 stainless steel</p> <p>N NAMUR 304 stainless steel</p>	<p>E (2) 3/4" NPT</p> <p>4 (2) 3/4" NPT (2) 1/2" NPT</p> <p>M (2) M20</p> <p>3 (4) M20</p> <p>6 (4) 3/4" NPT</p>	<p>B Buna-N</p> <p>S Silicone</p> <p>E EPDM</p> <p>V Viton</p>	<p>Blank No pilot device(s)</p> <p>1 (1) 24 Vdc pilot, .5W, fail open/closed</p> <p>2 (2) 24 Vdc pilots, .5W, fail last position</p> <p>3 (2) 24 Vdc pilots, .5W, block center</p> <p>4 (1) 220 Vac pilot, 1.9W, fail open/closed</p> <p>5 (2) 220 Vac pilots, 1.9W, fail last position</p> <p>6 (2) 220 Vac pilots, 1.9W, block center</p> <p>7 (1) 110 Vac pilot, 1.1W, fail open/closed</p> <p>8 (2) 110 Vac pilots, 1.1W, fail last position</p> <p>9 (2) 110 Vac pilots, 1.1W, block center</p> <p>P (1) piezo pilot, fail open/closed (FF only)</p> <p>R (2) piezo pilots, fail last position (FF only)</p> <p>U (2) piezo pilots, block center (FF only)</p>	<p>Blank No Spool Valve</p> <p>A Aluminum Hard coat anodized</p> <p>S 304 Stainless steel</p> <p>6 316 Stainless steel</p>	<p>Blank No Spool Valve</p> <p>2 1.2 Cv (1/4" NPT Ports)</p> <p>3 3.0 Cv (1/2" NPT Ports)</p> <p>C Cold temperature valve 1.0 Cv (1/4" NPT Ports) (Sensors L2, Z2, or FF only; O-Ring E or S only; Spool Valve S or 6 only) Bus/sensor L or Z = -50°C Bus/sensor FF = -30°C</p>	<p>Blank No override</p> <p>1 Single Pushbutton Momentary/Latching</p> <p>2 Dual Pushbutton Momentary/Latching</p> <p>3 Single Pushbutton Momentary</p> <p>4 Dual Pushbutton Momentary</p> <p>5 Manual Reset No voltage release latching with pushbutton (Consult factory if used with ES sensor option) (Spool valve must be 6)</p> <p>A Single palm actuator Momentary/Latching</p> <p>B Dual palm actuator Momentary/Latching</p> <p>C Single palm actuator Momentary</p> <p>D Dual palm actuator Momentary</p> <p>E Manual Reset No voltage release latching with palm actuator (Consult factory if used with ES sensor option) (Spool valve must be 6)</p> <p>T Partial stroke test button with lockable cover (Sensor ES only) (Not avail w/ Area Class C) (Conduit Entries 4 or 3 only)</p>	<p>Blank No Regional Cert</p> <p>B InMetro</p> <p>N NEPSI</p> <p>R GOST</p> <p>F FISCO (Bus/Sensor must be FF; Area Class must be 0)</p>
<p>Enclosure</p> <p>DXP</p>	<p>Bus/Sensor</p>	<p>Area Classification</p>	<p>Visual Display</p>	<p>Shaft</p>	<p>Conduit Entries</p>	<p>O-Rings</p>	<p>Pilot</p>	<p>Spool Valve</p>	<p>Valve Cv</p>	<p>Manual Override</p>	<p>Regional Certs</p>

See Next Column



Distributed by | Distribuido por :



ANYTHINGTM
≈ FLOWS ≈

INFO@ANYTHINGFLOWS.COM

WWW.ANYTHINGFLOWS.COM

Flow Control , our passion ®

Life Flows on TM



SCAN ME