

## 2007 Ordering Guide

## Base Model

2007 Aluminum Enclosure

## Shaft Output

- S Standard (Double-D with 1/4" Flats)
- D Direct Mount to Keystone 79U and MRP actuators
- N NAMUR

## Beacon

- BY BM2-Y (Standard)
- RG BM2-RG (Red Closed/Green Open)
- FE BM2-Y-FE (French/English)
- AB BM2-B
- AR BM2-R
- B1 BM3-1
- B3 BM3-3
- B5 BM3-5
- B7 BM3-7
- B9 BM3-9
- FC Flat Cover

## Conduit

- 2B Two 3/4" NPT (F)
- 4B Four 3/4" NPT (F)
- 2E One 3/4" NPT (F) and One 1/2" NPT (M) Eliminator Fitting\*
- 4E Three 3/4" NPT (F) and One 1/2" NPT (M) Eliminator Fitting\*
- 4F Two 3/4" NPT (F) and Two 1/2" NPT (M) Eliminator Fitting\*

## Position Switches

- 2M02 Two SPDT Mechanical Switches - 8 pt. Terminal Strip
- 4M02 Four SPDT Mechanical Switches - 16 pt. Terminal Strip
- 6M02 Six SPDT Mechanical Switches - 24 pt. Terminal Strip
- 2M04 Two DPDT Mechanical Switches - 16 pt. Terminal Strip
- 4M04 Four DPDT Mechanical Switches - 24 pt. Terminal Strip
- 2M03 Two SPDT GO® Switches - 12 pt. Terminal Strip
- 4M03 Four SPDT GO® Switches - 16 pt. Terminal Strip

## Analog Position Transmitter

- 00 None
- CS 4-20 mA Position Transmitter - 12 pt. TS w/2M02,  
16 pt. TS w/2M04 and 4M02 (not available with 4M04, 6M02, 2M03, 4M03 switch options)

2007 N BY 2B 2M02 00 = Model Number **2007NBY2B2M0200**

\* Eliminator Fitting is 1/2" NPT (M) for the purpose of mounting an after market solenoid valve.

Explosionproof

### 2200 Ordering Guide

#### Base Model

22 2200 Aluminum Enclosure

#### Beacon

4 Beacon  
6 Flat Cover

#### Position Switches

5 SPDT Mechanical Switches  
6 DPDT Mechanical Switches

#### Material

A Aluminum

#### Beacon

BY BM2-Y (Standard)  
AB BM2-B  
AR BM2-R  
GR BM2-RG (Red Closed/Green Open)  
B1 BM3-1  
B3 BM3-3  
B5 BM3-5  
B7 BM3-7  
B9 BM3-9  
00 Flat Cover

#### Shaft Output

S Standard (Double-D with 1/4" Flats)  
N NAMUR

#### Analog Position Transmitter

000 None  
OCS 4-20 mA Position Transmitter

#### Switch/Sensor Quantity

2 Two Switches  
4 Four Switches  
6 Six Switches (Available for SPDT Switches only)

#### Conduit

2 Two M20 Standard (Contact sales representative for other conduit options)  
4 4 M20 Standard

#### Unit Specification

AAA No Special Content – Standard material and build  
\*\*\* Non Standard Build Code (Contact sales representative)

#### Certification

-A Atex  
-I IEC

#### Revision

R\* Revision #

22 4 5 A BY N 000 2 2 AAA -A R1 = Model Number **2245ABYN0002AAA-AR1**

Explosionproof



### Product Overview

AccuTrak™ Rotary Position Monitors with mechanical switches.

2007, 2200 – Aluminum Enclosure with powder coat finish

### Features and Benefits

- 4 DPDT or 6 SPDT switch option and up to a 24 point terminal strip available.
- The Eliminator option provides an easy integrated connection to an external solenoid valve.
- CS Transmitter Option – Combine local visual display with 4-20 mA position feedback. The analog current transmitter features the latest technology in solid state design with one of the lowest operating voltages (6.5 VDC) in the industry.
- The Westlock Beacon is manufactured from a high impact strength and corrosion resistant co-polyester that offers 360 degree instant visual recognition of valve position from up to 150 feet away.
- Touch set cams are hand adjustable, spring loaded and self-locking providing quick calibration of position sensors.
- Terminal strips are pre-wired and numbered with generous working space for ease of use.
- All units are standard with an additional conduit for easy field wiring and mounting accessories.
- All AccuTrak™ and Quantum products utilize a standardized mounting pattern for easy adaptation to common bracketry.
- Low copper content aluminum enclosures (0.2% maximum copper content) ensure robust performance in corrosive environments.
- Captive screws on cover prevent lost screws during installation and maintenance.

### Agency Approvals:

2007 Class I, Division 1, Groups C & D/ T6 Ta = 60 Deg C  
Class II, Division 1, Groups E, F & G/ T6 Ta = 60 Deg C

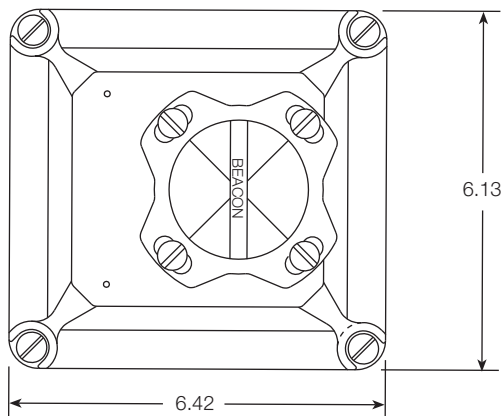
2200 Ex II 2 G Ex d IIB+H2\* Ex tD A21 IP6X T\*

Type 4, 4X Enclosures

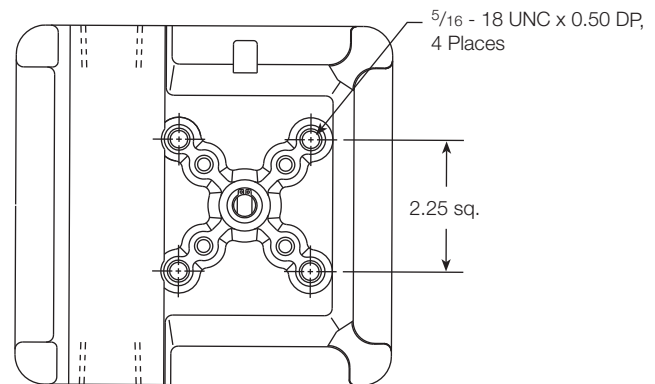


Explosionproof

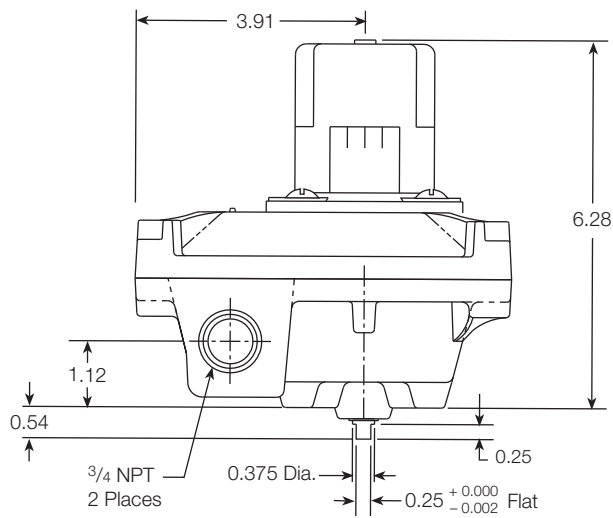
### Dimensions



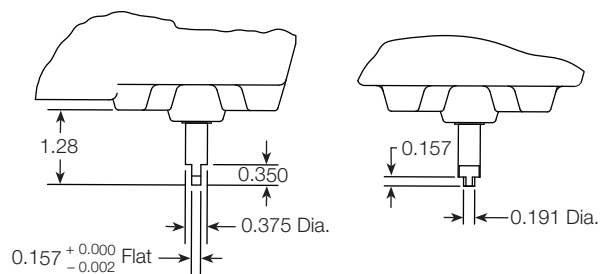
Top View



Bottom View



Side View



Optional NAMUR Shaft

### Technical Specifications

#### Materials of Construction

Enclosure: Aluminum with polyester powder coat  
 Shaft and hardware: Stainless steel  
 Bushing: Oil impregnated bronze  
 Beacon visual indicator: Co-polyester

#### Available Switches

- V3 mechanical switches, SPDT
- DPDT (Form CC) mechanical switches
- GO® switches

*For switch electrical ratings see reference section*

#### Options

4-20 mA position transmitter

*For transmitter specifications see reference section*

Distributed by | Distribuido por :



**ANYTHING**  
**≈ FLOWS ≈**

[INFO@ANYTHINGFLOWS.COM](mailto:INFO@ANYTHINGFLOWS.COM)

[WWW.ANYTHINGFLOWS.COM](http://WWW.ANYTHINGFLOWS.COM)

**Flow Control , our passion ®**

**Life Flows on ™**



**SCAN ME**